



PARTS CATALOGUE NEWS

Honda Motor Co., Ltd.
Service Division Service Information Dept.

CODE NO.	18K76KM1
PARTS CATALOGUE NEWS	NBC110MCD/MDF NBC110MCDK NBC110MDFK
NEWS NO.	002

(MA-KD)

NEW MODEL NBC110MCDL-2MA/NBC110MDFL-2MA TYPES COMPONENT PARTS-MARKETED

This Parts News NBC110MCDL-2MA/NBC110MDFL-2MA types parts exclusively and respectively are based NBC110MCDK-MA,MA/NBC110MDFK-MA,MA types listed on the NBC110MCD/MDF Parts Catalogue.
All other parts not listed herein are the same as NBC110MCDK-MA,MA/NBC110MDFK-MA,MA types parts.

Model	Area code	Type	Applicable engine serial No.	Applicable frame serial No.	Applicable throttle body identification No.
NBC110MCDL	2MA	Malaysia	JA28E-2319726~	PMKJA284*LB600001~	RQB A
NBC110MDFL	2MA	Malaysia	JA28E-2319626~	PMKJA283*LB600001~	RQB A

PARTS CATALOGUE NEWS

BOOKNo. : 18K76KM1

NBC110MCD (NBC110MCDL).....2MA

No.	MODEL		NBC110MCDL					
	COLOR		Pearl nightfall blue	Euphoria red metallic	Applicable model		Applicable block No.	Ref. No.
	CODE		PB-407P	R-339M	Initial applicable model	Final applicable model		
	Name of colored parts	Basic part No.	PB407	R339				
1	CASE, UNDER HALF DRIVE CHAIN	40520-KZV-V30	ZA	ZA			F-32	2
2	CASE, UPPER HALF DRIVE CHAIN	40510-KZV-M00	ZA	ZA			F-32	1
3	COVER SET, HANDLE UPPER	53250-K76-M00	ZB	ZF			F-7	20
4	COVER SET, L. BODY	83500-K76-M60	ZC	ZA			F-23-10	5
5	COVER SET, L. RR. BODY	83700-K76-M60	ZC	ZA			F-23-10	8
6	COVER SET, R. BODY	83400-K76-M60	ZC	ZA			F-23-10	4
7	COVER SET, R. RR. BODY	83600-K76-M60	ZC	ZA			F-23-10	7
8	COVER, COMBINATION & LOCK SWITCH	81135-KZV-J00	ZD	ZD			F-44	5
9	COVER, FR.	64301-KZV-M70	ZE	ZA			F-44	1
10	COVER, HANDLE LOWER	53206-KZV-M70	ZE	ZA			F-7	4
11	COVER, TAIL	83510-KZV-M70	ZE	ZA			F-23-10	3
12	FENDER B, FR.	61200-KZV-V30	ZA	ZA			F-10	5
13	FENDER, FR.	61100-KZV-M70	ZE	ZA			F-10	2
14	MARK	86531-KYZ-710	ZA	ZA			F-50	5
15	MARK	86811-K76-M70	ZA	ZA			F-50	15
16	MARK, DRIVE CAUTION	87560-KW7-950	ZB	ZB			F-49	3
17	MARK, HONDA	86101-KZV-V30	ZA	ZA			F-50	11
18	PANEL COMP., RR. BRAKE	43100-KWW-640	ZD	ZD			F-18	4
19	PANEL SUB COMP., FR. BRAKE	45010-KWW-640	ZD	ZD			F-13	5
20	SHIELD SET, L. LEG	83300-K76-M70	ZA	ZA			F-44	7
21	SHIELD SET, R. LEG	83200-K76-M70	ZA	ZA			F-44	6
22	STRIPE A, L. BODY COVER	86832-K76-M60	ZC	ZA			F-50	17
23	STRIPE A, R. BODY COVER	86831-K76-M60	ZC	ZA			F-50	16
24	STRIPE B, L. BODY COVER	86834-K76-M60	ZC	ZA			F-50	19
25	STRIPE B, R. BODY COVER	86833-K76-M60	ZC	ZA			F-50	18

PARTS CATALOGUE NEWS

BOOKNo. : 18K76KM1

NBC110MCD (NBC110MCDL).....2MA

No.	MODEL		NBC110MCDL					
	COLOR		Pearl nightfall blue	Euphoria red metallic	Applicable model		Applicable block No.	Ref. No.
	CODE		PB-407P	R-339M	Initial applicable model	Final applicable model		
	Name of colored parts	Basic part No.	PB407	R339				
26	STRIPE, L. RR. BODY COVER	86642-K76-M60	ZC	ZA			F-50	13
27	STRIPE, R. RR. BODY COVER	86641-K76-M60	ZC	ZA			F-50	12
28	SWINGARM SUB ASSY., RR.	52200-KZV-T00	ZC	ZC			F-32	8
29	WHEEL SUB ASSY., FR.	44650-K76-M20	ZA	ZA			F-14-30	5
30	WHEEL SUB ASSY., RR.	42650-K76-M20	ZA	ZA			F-19-30	9

PARTS CATALOGUE NEWS

BOOKNo. : 18K76KM1

NBC110MDF (NBC110MDFL).....2MA

No.	MODEL		NBC110MDFL					
	COLOR		Pearl nightfall blue PB-407P	Euphoria red metallic R-339M	Applicable model		Applicable block No.	Ref. No.
	CODE		PB407	R339	Initial applicable model	Final applicable model		
	Name of colored parts	Basic part No.						
1	CASE, UNDER HALF DRIVE CHAIN	40520-KZV-V30	ZA	ZA			F-32	2
2	CASE, UPPER HALF DRIVE CHAIN	40510-KZV-M00	ZA	ZA			F-32	1
3	COVER SET, HANDLE UPPER	53250-K76-M00	ZB	ZF			F-7	20
4	COVER SET, L. BODY	83500-K76-M60	ZC	ZA			F-23-10	5
5	COVER SET, L. RR. BODY	83700-K76-M60	ZC	ZA			F-23-10	8
6	COVER SET, R. BODY	83400-K76-M60	ZC	ZA			F-23-10	4
7	COVER SET, R. RR. BODY	83600-K76-M60	ZC	ZA			F-23-10	7
8	COVER, COMBINATION & LOCK SWITCH	81135-KZV-J00	ZD	ZD			F-44	5
9	COVER, FR.	64301-KZV-M70	ZE	ZA			F-44	1
10	COVER, HANDLE LOWER	53206-KZV-M70	ZE	ZA			F-7	4
11	COVER, TAIL	83510-KZV-M70	ZE	ZA			F-23-10	3
12	FENDER B, FR.	61200-KZV-V30	ZA	ZA			F-10	5
13	FENDER, FR.	61100-KZV-M70	ZE	ZA			F-10	2
14	HUB SUB ASSY., FR.	44635-K09-840	ZB	ZB			F-14-10	9
15	HUB SUB ASSY., RR. WHEEL	42635-KWW-640	ZE	ZE			F-19-10	11
16	MARK	86531-KYZ-710	ZA	ZA			F-50	5
17	MARK	86811-K76-M70	ZA	ZA			F-50	15
18	MARK, DRIVE CAUTION	87560-KW7-950	ZB	ZB			F-49	3
19	MARK, HONDA	86101-KZV-V30	ZA	ZA			F-50	11
20	PANEL COMP., RR. BRAKE	43100-KWW-640	ZD	ZD			F-18	4
21	PANEL SUB COMP., FR. BRAKE	45010-KWW-640	ZD	ZD			F-13	5
22	RIM, HEADLIGHT	33102-KZV-M70	ZA	ZA			F-1	1
23	SHIELD SET, L. LEG	83300-K76-M70	ZA	ZA			F-44	7
24	SHIELD SET, R. LEG	83200-K76-M70	ZA	ZA			F-44	6
25	STRIPE A, L. BODY COVER	86832-K76-M60	ZC	ZA			F-50	17

PARTS CATALOGUE NEWS

BOOKNo. : 18K76KM1

NBC110MDF (NBC110MDFL).....2MA

No.	MODEL		NBC110MDFL					
	COLOR		Pearl nightfall blue	Euphoria red metallic	Applicable model		Applicable block No.	Ref. No.
	CODE		PB-407P	R-339M	Initial applicable model	Final applicable model		
	Name of colored parts	Basic part No.	PB407	R339				
26	STRIPE A, R. BODY COVER	86831-K76-M60	ZC	ZA			F-50	16
27	STRIPE B, L. BODY COVER	86834-K76-M60	ZC	ZA			F-50	19
28	STRIPE B, R. BODY COVER	86833-K76-M60	ZC	ZA			F-50	18
29	STRIPE, L. RR. BODY COVER	86642-K76-M60	ZC	ZA			F-50	13
30	STRIPE, R. RR. BODY COVER	86641-K76-M60	ZC	ZA			F-50	12
31	SWINGARM SUB ASSY., RR.	52200-KZV-T00	ZC	ZC			F-32	8
32	WHEEL SUB ASSY., FR.	44650-K09-841	ZB	ZB			F-14-10	10
33	WHEEL SUB ASSY., RR.	42650-KYZ-M00	ZB	ZB			F-19-10	12
34	WHEEL SUB ASSY., RR.	42650-KYZ-T00	ZB	ZB			F-19-10	12

PARTS CATALOGUE NEWS

BOOKNo. : 18K76KM1

Block No.	Ref. No.	Part No.	Description	Reqd. QTY				Base Part No.	Parts catalogue code
				MCD K	MDF K	NBC110 MCD L	MDF L		
E-5	2	12191-K58-TC0	GASKET, CYLINDER.....	-	-	1	1	12191-KWB-920	2MA
E-6	3	11394-K58-TC0	GASKET, R. CRANKCASE COVER....	-	-	1	1	11394-KWB-920	2MA
E-7	2	15439-KYK-D10	GASKET, OIL FILTER.....	-	-	1	1	15439-KPH-901	2MA
E-10	3	11395-K58-TC0	GASKET, L. CRANKCASE COVER....	-	-	1	1	11395-KWB-920	2MA
F-7	4	53206-KZV-M70ZA	COVER, HANDLE LOWER *R339M*. EUPHORIA RED METALLIC	-	-	1	1		2MA
			COVER, HANDLE LOWER *R356C*. CANDY SCINTILLATE RED	-	-	0	-	53206-KZV-M70ZD	2MA
			COVER, HANDLE LOWER *NHA69P*. PEARL MAGELLANIC BLACK	-	-	0	0	53206-KZV-M70ZF	2MA
			COVER, HANDLE LOWER *RP195M*. SPACE MAGENTA METALLIC	-	-	0	-	53206-KZV-M70ZG	2MA
	20	53250-K76-M00ZF	COVER SET, HANDLE UPPER (WL) *R339M*. EUPHORIA RED METALLIC	-	-	1	1		2MA
			COVER SET, HANDLE UPPER (WL) *R356C*. CANDY SCINTILLATE RED	-	-	0	-	53250-K76-M00ZA	2MA
			COVER SET, HANDLE UPPER (WL) *NHA69P*. PEARL MAGELLANIC BLACK	-	-	0	0	53250-K76-M00ZD	2MA
			COVER SET, HANDLE UPPER (WL) *RP195M*. SPACE MAGENTA METALLIC	-	-	0	-	53250-K76-M00ZE	2MA
F-10	2	61100-KZV-M70ZA	FENDER, FR. *R339M*. EUPHORIA RED METALLIC	-	-	1	1		2MA
			FENDER, FR. *R356C*. CANDY SCINTILLATE RED	-	-	0	-	61100-KZV-M70ZD	2MA
			FENDER, FR. *NHA69P*. PEARL MAGELLANIC BLACK	-	-	0	0	61100-KZV-M70ZF	2MA

PARTS CATALOGUE NEWS

BOOKNo. : 18K76KM1

Block No.	Ref. No.	Part No.	Description	Reqd. QTY				Base Part No.	Parts catalogue code
				MCD K	MDF K	NBC110 MCD L	MDF L		
			FENDER, FR. *RP195M*. SPACE MAGENTA METALLIC	-	-	0	-	61100-KZV-M70ZG 2MA	
F-13	5	45010-KWW-640ZD	PANEL SUB COMP., FR. BRAKE *NH303M*. MAT AXIS GRAY METALLIC	-	-	-	1	 2MA	
			PANEL SUB COMP., FR. BRAKE *NH364M*. SHEEN SILVER METALLIC	-	-	-	0	45010-KWW-640ZA 2MA	
F-14-10	9	44635-K09-840ZB	HUB SUB ASSY., FR. *NH303M*. MAT AXIS GRAY METALLIC	-	-	-	1	 2MA	
			HUB SUB ASSY., FR. *NH364M*. SHEEN SILVER METALLIC	-	-	-	0	44635-K09-840ZA 2MA	
	10	44650-K09-841ZB	WHEEL SUB ASSY., FR. *NH303M*. MAT AXIS GRAY METALLIC	-	-	-	1	 2MA	
			WHEEL SUB ASSY., FR. *NH364M*. SHEEN SILVER METALLIC	-	-	-	0	44650-K09-841ZA 2MA	
	11	44711-KWW-642	TIRE, FR. (VEE) (70/90-17 M/C 38P)	-	-	-	1	44711-KWW-641 2MA	
		44711-KWZ-903	TIRE, FR. (IRC) (70/90-17 M/C 38P)	-	-	-	1	44711-KWZ-902 2MA	
F-18	4	43100-KWW-640ZD	PANEL COMP., RR. BRAKE *NH303M*. MAT AXIS GRAY METALLIC	-	-	-	1	 2MA	
			PANEL COMP., RR. BRAKE *NH364M*. SHEEN SILVER METALLIC	-	-	-	0	43100-KWW-640ZB 2MA	
F-19-10	11	42635-KWW-640ZE	HUB SUB ASSY., RR. WHEEL *NH303M*. MAT AXIS GRAY METALLIC	-	-	-	1	 2MA	

PARTS CATALOGUE NEWS

BOOKNo. : 18K76KM1

Block No.	Ref. No.	Part No.	Description	Reqd. QTY				Base Part No.	Parts catalogue code
				MCD K	MDF K	NBC110 MCD L	MDF L		
			HUB SUB ASSY., RR. WHEEL *NH364M*. SHEEN SILVER METALLIC	-	-	-	0	42635-KWW-640ZA	2MA
	12	42650-KYZ-M00ZB	WHEEL SUB ASSY., RR. *NH303M*. MAT AXIS GRAY METALLIC (17X1.60)	-	-	-	1		2MA
		42650-KYZ-T00ZB	WHEEL SUB ASSY., RR. *NH303M*. MAT AXIS GRAY METALLIC (17X1.60-1.4)	-	-	-	1		2MA
			WHEEL SUB ASSY., RR. *NH364M*. SHEEN SILVER METALLIC (17X1.60)	-	-	-	0	42650-KYZ-M00ZA	2MA
			WHEEL SUB ASSY., RR. *NH364M*. SHEEN SILVER METALLIC (17X1.60-1.4)	-	-	-	0	42650-KYZ-T00ZA	2MA
	15	42711-KWW-642	TIRE, RR. (VEE) (80/90-17 M/C 50P)	-	-	-	1	42711-KWW-641	2MA
		42711-KWZ-902	TIRE, RR. (IRC) (80/90-17 M/C 50P)	-	-	-	1	42711-KWZ-901	2MA
F-23-10	3	83510-KZV-M70ZA	COVER, TAIL (WOL) *R339M*. EUPHORIA RED METALLIC	-	-	1	1		2MA
		83510-KZV-M70ZE	COVER, TAIL (WOL) *PB407P*. PEARL NIGHTFALL BLUE	-	-	1	1		2MA
			COVER SET, TAIL (WL) *TYPE4*.....	-	-	0	-	83100-K76-M50ZA	2MA
			COVER SET, TAIL (WL) *TYPE3*.....	-	-	0	0	83100-K76-M50ZB	2MA
			COVER SET, TAIL (WL) *TYPE2*.....	-	-	0	-	83100-K76-M50ZC	2MA
			COVER SET, TAIL (WL) *TYPE1*.....	-	-	0	0	83100-K76-M50ZD	2MA

PARTS CATALOGUE NEWS

BOOKNo. : 18K76KM1

Block No.	Ref. No.	Part No.	Description	Reqd. QTY				Base Part No.	Parts catalogue code
				MCD K	MDF K	NBC110 MCD L	MDF L		
4		83400-K76-M60ZA	COVER SET, R. BODY (WL) *TYPE3*.....	-	-	1	-	83400-K76-M50ZB	2MA
		83400-K76-M60ZA	COVER SET, R. BODY (WL) *TYPE3*.....	-	-	-	1		2MA
		83400-K76-M60ZC	COVER SET, R. BODY (WL) *TYPE1*.....	-	-	-	1	83400-K76-M40ZB	2MA
		83400-K76-M60ZC	COVER SET, R. BODY (WL) *TYPE1*.....	-	-	1	-	83400-K76-M50ZD	2MA
			COVER SET, R. BODY (WL) *TYPE2*.....	-	-	-	0	83400-K76-M40ZA	2MA
			COVER SET, R. BODY (WL) *TYPE4*.....	-	-	0	-	83400-K76-M50ZA	2MA
			COVER SET, R. BODY (WL) *TYPE2*.....	-	-	0	-	83400-K76-M50ZC	2MA
5		83500-K76-M60ZA	COVER SET, L. BODY (WL) *TYPE3*.....	-	-	1	-	83500-K76-M50ZB	2MA
		83500-K76-M60ZA	COVER SET, L. BODY (WL) *TYPE3*.....	-	-	-	1		2MA
		83500-K76-M60ZC	COVER SET, L. BODY (WL) *TYPE1*.....	-	-	-	1	83500-K76-M40ZB	2MA
		83500-K76-M60ZC	COVER SET, L. BODY (WL) *TYPE1*.....	-	-	1	-	83500-K76-M50ZD	2MA
			COVER SET, L. BODY (WL) *TYPE2*.....	-	-	-	0	83500-K76-M40ZA	2MA
			COVER SET, L. BODY (WL) *TYPE4*.....	-	-	0	-	83500-K76-M50ZA	2MA
			COVER SET, L. BODY (WL) *TYPE2*.....	-	-	0	-	83500-K76-M50ZC	2MA
7		83600-K76-M60ZA	COVER SET, R. RR. BODY (WL) *TYPE3*.....	-	-	1	1		2MA
		83600-K76-M60ZC	COVER SET, R. RR. BODY (WL) *TYPE1*.....	-	-	1	1		2MA

PARTS CATALOGUE NEWS

BOOKNo. : 18K76KM1

Block No.	Ref. No.	Part No.	Description	Reqd. QTY				Base Part No.	Parts catalogue code
				MCD K	MDF K	NBC110 MCD L	MDF L		
			COVER, R. RR. BODY (WOL) *PB407P*. PEARL NIGHTFALL BLUE	-	-	0	0	64480-KZV-M70ZD	2MA
			COVER, R. RR. BODY (WOL) *R356C*. CANDY SCINTILLATE RED	-	-	0	-	64480-KZV-M70ZE	2MA
			COVER, R. RR. BODY (WOL) *NHA69P*. PEARL MAGELLANIC BLACK	-	-	0	0	64480-KZV-M70ZF	2MA
			COVER, R. RR. BODY (WOL) *RP195M*. SPACE MAGENTA METALLIC	-	-	0	-	64480-KZV-M70ZG	2MA
	8	83700-K76-M60ZA	COVER SET, L. RR. BODY (WL) *TYPE3*.....	-	-	1	1		2MA
		83700-K76-M60ZC	COVER SET, L. RR. BODY (WL) *TYPE1*.....	-	-	1	1		2MA
			COVER, L. RR. BODY (WOL) *PB407P*. PEARL NIGHTFALL BLUE	-	-	0	0	64490-KZV-M70ZD	2MA
			COVER, L. RR. BODY (WOL) *R356C*. CANDY SCINTILLATE RED	-	-	0	-	64490-KZV-M70ZE	2MA
			COVER, L. RR. BODY (WOL) *NHA69P*. PEARL MAGELLANIC BLACK	-	-	0	0	64490-KZV-M70ZF	2MA
			COVER, L. RR. BODY (WOL) *RP195M*. SPACE MAGENTA METALLIC	-	-	0	-	64490-KZV-M70ZG	2MA
F-35	14	33600-KZV-M72	WINKER ASSY., R. RR. (12V 10W).	-	-	1	1	33600-KZV-M71	2MA
	15	33650-KZV-M72	WINKER ASSY., L. RR. (12V 10W).	-	-	1	1	33650-KZV-M71	2MA
F-44	1	64301-KZV-M70ZA	COVER, FR. *R339M*. EUPHORIA RED METALLIC	-	-	1	1		2MA
		64301-KZV-M70ZE	COVER, FR. *PB407P*. PEARL NIGHTFALL BLUE	-	-	1	1		2MA
			COVER, FR. *NHA96P*. PEARL METALLOID WHITE	-	-	0	0	64301-KZV-M70ZG	2MA

PARTS CATALOGUE NEWS

BOOKNo. : 18K76KM1

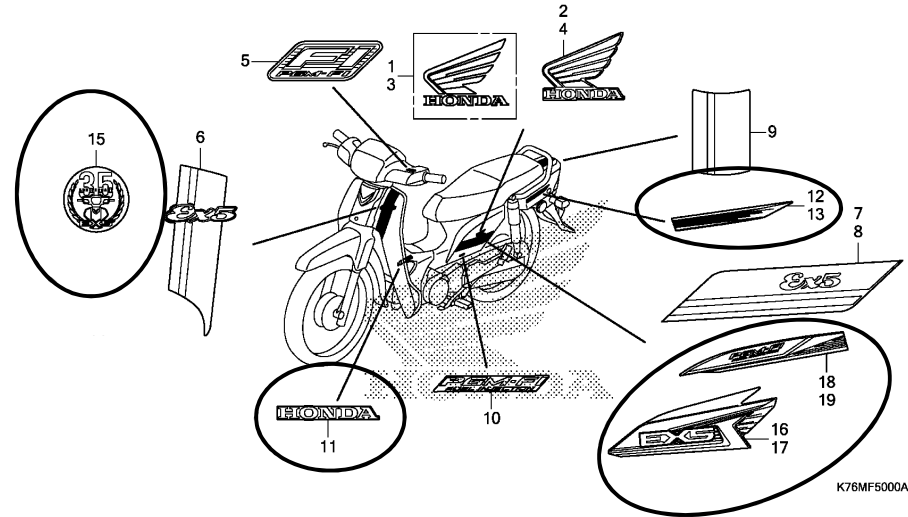
Block No.	Ref. No.	Part No.	Description	Reqd. QTY				Base Part No.	Parts catalogue code
				MCD K	MDF K	NBC110 MCD L	MDF L		
	6	83200-K76-M70ZA	SHIELD SET, R. LEG (WL) *NH138*..... SHASTA WHITE	-	-	1	1	81131-KZV-V30ZA	2MA
	7	83300-K76-M70ZA	SHIELD SET, L. LEG (WL) *NH138*..... SHASTA WHITE	-	-	1	1		2MA
			SHIELD SET, L. LEG (WL) *TYPE4*.....	-	-	0	-	83300-K76-M50ZA	2MA
			SHIELD SET, L. LEG (WL) *TYPE3*.....	-	-	0	0	83300-K76-M50ZB	2MA
			SHIELD SET, L. LEG (WL) *TYPE2*.....	-	-	0	-	83300-K76-M50ZC	2MA
			SHIELD SET, L. LEG (WL) *TYPE1*.....	-	-	0	0	83300-K76-M50ZD	2MA

PARTS CATALOGUE NEWS

BOOKNo. : 18K76KM1

Block No.	Ref. No.	Part No.	Description	Reqd. QTY				Base Part No.	Parts catalogue code
				MCD K	MDF K	MCD L	MDF L		

F-50 MARK/STRIPE



F-50	1	EMBLEM, R. WING (73MM) *TYPE1*	-	-	0	-	86201-K59-A20ZA	2MA
	2	MARK, R. WING (75MM) *TYPE2*	-	-	-	0	86201-K76-M40ZA	2MA
		MARK, R. WING (75MM) *TYPE1*	-	-	-	0	86201-K76-M40ZB	2MA
	3	EMBLEM, L. WING (73MM) *TYPE1*	-	-	0	-	86202-K59-A20ZA	2MA
	4	MARK, L. WING (75MM) *TYPE2*	-	-	-	0	86202-K76-M40ZA	2MA
		MARK, L. WING (75MM) *TYPE1*	-	-	-	0	86202-K76-M40ZB	2MA

PARTS CATALOGUE NEWS

BOOKNo. : 18K76KM1

Block No.	Ref. No.	Part No.	Description	Reqd. QTY				Base Part No.	Parts catalogue code
				MCD K	MDF K	NBC110 MCD L	MDF L		
	6		STRIPE, L. LEG SHIELD *TYPE4*.....	-	-	0	-	86811-K76-M50ZA	2MA
			STRIPE, L. LEG SHIELD *TYPE3*.....	-	-	0	0	86811-K76-M50ZB	2MA
			STRIPE, L. LEG SHIELD *TYPE2*.....	-	-	0	-	86811-K76-M50ZC	2MA
			STRIPE, L. LEG SHIELD *TYPE1*.....	-	-	0	0	86811-K76-M50ZD	2MA
	7		STRIPE, R. BODY COVER *TYPE4*.....	-	-	0	-	86831-K76-M50ZA	2MA
			STRIPE, R. BODY COVER *TYPE3*.....	-	-	0	0	86831-K76-M50ZB	2MA
			STRIPE, R. BODY COVER *TYPE2*.....	-	-	0	-	86831-K76-M50ZC	2MA
			STRIPE, R. BODY COVER *TYPE1*.....	-	-	0	0	86831-K76-M50ZD	2MA
	8		STRIPE, L. BODY COVER *TYPE4*.....	-	-	0	-	86832-K76-M50ZA	2MA
			STRIPE, L. BODY COVER *TYPE3*.....	-	-	0	0	86832-K76-M50ZB	2MA
			STRIPE, L. BODY COVER *TYPE2*.....	-	-	0	-	86832-K76-M50ZC	2MA
			STRIPE, L. BODY COVER *TYPE1*.....	-	-	0	0	86832-K76-M50ZD	2MA
	9		STRIPE, TAIL COVER *TYPE4*.....	-	-	0	-	86833-K76-M50ZA	2MA
			STRIPE, TAIL COVER *TYPE3*.....	-	-	0	0	86833-K76-M50ZB	2MA
			STRIPE, TAIL COVER *TYPE2*.....	-	-	0	-	86833-K76-M50ZC	2MA
			STRIPE, TAIL COVER *TYPE1*.....	-	-	0	0	86833-K76-M50ZD	2MA

PARTS CATALOGUE NEWS

BOOKNo. : 18K76KM1

Block No.	Ref. No.	Part No.	Description	Reqd. QTY				Base Part No.	Parts catalogue code
				MCD K	MDF K	NBC110 MCD L	MDF L		
	10		MARK, PGM-FI *TYPE1*.....	-	-	0	0	86834-K76-M50ZA	2MA
	11	86101-KZV-V30ZA	MARK, HONDA(100MM) *TYPE1*.....	-	-	2	2		2MA
	12	86641-K76-M60ZA	STRIPE, R. RR. BODY COVER *TYPE3*.....	-	-	1	1		2MA
		86641-K76-M60ZC	STRIPE, R. RR. BODY COVER *TYPE1*.....	-	-	1	1		2MA
	13	86642-K76-M60ZA	STRIPE, L. RR. BODY COVER *TYPE3*.....	-	-	1	1		2MA
		86642-K76-M60ZC	STRIPE, L. RR. BODY COVER *TYPE1*.....	-	-	1	1		2MA
	15	86811-K76-M70ZA	MARK *TYPE1*.....	-	-	1	1		2MA
	16	86831-K76-M60ZA	STRIPE A, R. BODY COVER *TYPE3*.....	-	-	1	1		2MA
		86831-K76-M60ZC	STRIPE A, R. BODY COVER *TYPE1*.....	-	-	1	1		2MA
	17	86832-K76-M60ZA	STRIPE A, L. BODY COVER *TYPE3*.....	-	-	1	1		2MA
		86832-K76-M60ZC	STRIPE A, L. BODY COVER *TYPE1*.....	-	-	1	1		2MA
	18	86833-K76-M60ZA	STRIPE B, R. BODY COVER *TYPE3*.....	-	-	1	1		2MA
		86833-K76-M60ZC	STRIPE B, R. BODY COVER *TYPE1*.....	-	-	1	1		2MA
	19	86834-K76-M60ZA	STRIPE B, L. BODY COVER *TYPE3*.....	-	-	1	1		2MA
		86834-K76-M60ZC	STRIPE B, L. BODY COVER *TYPE1*.....	-	-	1	1		2MA