



PARTS CATALOGUE NEWS

Honda Motor Co., Ltd.
Service Division Service Information Dept.

Printed in Japan

CODE NO.	18K47KM1
PARTS CATALOGUE NEWS	AFP125CRF/CSF AFP125CRFK AFP125CSFK
NEWS NO.	001

(MA-KD)

NEW MODEL AFP125CRFL-2MA,MA AND AFP125CSFL-MA TYPES COMPONENT

PARTS-MARKETED

This Parts News AFP125CRFL-2MA,MA and AFP125CSFL-MA types parts exclusively and respectively are based AFP125CRFK-2MA,MA and AFP125CSFK-MA types listed on the AFP125CRF/CSF Parts Catalogue.

All other parts not listed herein are the same as AFP125CRFK-2MA,MA and AFP125CSFK-MA types parts.

Model	Area code	Type	Applicable engine serial No.	Applicable frame serial No.	Applicable throttle body identification No.
AFP125CRFL	2MA	Malaysia	JC80E2100001~	PMKJC80A*LB100001~	GQYFA A
	MA			PMKJC806*LB100001~	
AFP125CSFL	MA	Malaysia	JC80E2100001~	PMKJC805*LB100001~	GQYFA A

AFP125CRF (AFP125CRFL).....2MA

No.	MODEL		AFP125CRFL				
	COLOR		Luminous orange	Applicable model		Applicable block No.	Ref. No.
	CODE		YR-308	Initial applicable model	Final applicable model		
	Name of colored parts	Basic part No.	YR308				
1	COVER SET, FR. TOP	64200-K47-M20	ZA			F-44	1
2	COVER SET, L. BODY	64650-K47-M20	ZA			F-23-10	5
3	COVER SET, L. HANDLE TOP	53210-K47-M00	ZB			F-7	11
4	COVER SET, L. MAIN PIPE SIDE	64465-K47-M20	ZA			F-44-10	11
5	COVER SET, R. BODY	64600-K47-M20	ZA			F-23-10	4
6	COVER SET, R. MAIN PIPE SIDE	64460-K47-M20	ZA			F-44-10	10
7	COVER SET, RR. LICENSE LIGHT	80105-K07-M50	ZA			F-34	11
8	COVER, AIR CLEANER OUTLET	64320-K07-900	ZP			F-44-10	5
9	COVER, CENTER	64340-K07-M00	ZA			F-23-10	1
10	COVER, L. LEG SHIELD INNER	64360-K07-900	ZB			F-44	3
11	COVER, L. MAIN PIPE SIDE LOWER	64380-K47-M00	ZA			F-44-10	7
12	COVER, MAIN PIPE	64310-K07-M02	ZA			F-44-10	2
13	COVER, R. HANDLE TOP	53203-K47-M00	ZB			F-7	7
14	COVER, R. LEG SHIELD INNER	64350-K07-900	ZB			F-44	2
15	COVER, R. MAIN PIPE SIDE LOWER	64370-K47-N00	ZA			F-44-10	6
16	COVER, SPEEDOMETER	53209-K47-M00	ZD			F-7	10
17	COVER, TAIL	64480-K07-M50	ZB			F-23-10	2
18	FENDER B, FR.	61200-K09-840	ZA			F-10	5
19	FENDER SET A, FR.	61000-K47-M20	ZA			F-10	3
20	FENDER, RR.	80100-K47-M00	ZA			F-34	10

AFP125CRF (AFP125CRFL).....2MA

No.	MODEL		AFP125CRFL				
	COLOR		Luminous orange	Applicable model		Applicable block No.	Ref. No.
	CODE		YR-308	Initial applicable model	Final applicable model		
	Name of colored parts	Basic part No.	YR308				
21	FENDER, RR. INNER	80150-K47-M00	ZA			F-34	14
22	MARK	86531-KYZ-710	ZA			F-50	7
23	MARK, DRIVE CAUTION	87560-KW7-950	ZB			F-49	3
24	MARK, HONDA	86102-K07-M50	ZA			F-50	4
25	MARK, HONDA	86103-K07-M50	ZA			F-50	5
26	MARK, HONDA	86104-K47-M20	ZA			F-50	6
27	MARK, REPSOL	86611-K47-M20	ZA			F-50	8
28	MOLDING, L. SIDE	64475-K07-900	ZA			F-44	5
29	MOLDING, R. SIDE	64470-K07-900	ZA			F-44	4
30	RAIL, RR. GRAB	50400-K07-900	ZF			F-23	3
31	SHIELD SET, L. LEG	64750-K47-M20	ZA			F-44	7
32	SHIELD SET, R. LEG	64700-K47-M20	ZA			F-44	6
33	STRIPE A, FR. TOP COVER	86641-K47-M20	ZA			F-50	10
34	STRIPE A, L. BODY COVER	86656-K47-M20	ZA			F-50	32
35	STRIPE A, L. MAIN PIPE SIDE COVER	86644-K47-M20	ZA			F-50	14
36	STRIPE A, R. BODY COVER	86655-K47-M20	ZA			F-50	31
37	STRIPE A, R. MAIN PIPE SIDE COVER	86643-K47-M20	ZA			F-50	13
38	STRIPE B, FR. TOP COVER	86642-K47-M20	ZA			F-50	12
39	STRIPE B, L. BODY COVER	86658-K47-M20	ZA			F-50	34
40	STRIPE B, L. MAIN PIPE SIDE COVER	86646-K47-M20	ZA			F-50	17

BOOKNo. : 18K47KM1

AFP125CRF (AFP125CRFL).....2MA

No.	MODEL		AFP125CRFL				
	COLOR		Luminous orange	Applicable model		Applicable block No.	Ref. No.
	CODE		YR-308	Initial applicable model	Final applicable model		
	Name of colored parts	Basic part No.	YR308				
41	STRIPE B, R. BODY COVER	86657-K47-M20	ZA			F-50	33
42	STRIPE B, R. MAIN PIPE SIDE COVER	86645-K47-M20	ZA			F-50	16
43	STRIPE C, FR. TOP COVER	86649-K47-M20	ZA			F-50	20
44	STRIPE, L. LEG SHIELD	86652-K47-M20	ZA			F-50	26
45	STRIPE, R. LEG SHIELD	86651-K47-M20	ZA			F-50	23
46	SWINGARM SUB ASSY., RR.	52200-K41-N10	ZB			F-32	12
47	VISOR SET, FR.	53280-K47-M00	ZA			F-7	12
48	WHEEL SUB ASSY., FR.	44650-K47-M20	ZA			F-14-40	5
49	WHEEL SUB ASSY., RR.	42650-K47-M20	ZA			F-19-40	9

AFP125CRF (AFP125CRFL).....MA

No.	MODEL		AFP125CRFL						
	COLOR		Candy scintillate red	Pearl nightfall blue	Clipper yellow	Applicable model		Applicable block No.	Ref. No.
	CODE		R-356C	PB-407P	Y-106	Initial applicable model	Final applicable model		
	Name of colored parts	Basic part No.	R356	PB407	Y106				
1	COVER SET, FR. TOP	64200-K47-M30	ZC	ZB	ZA			F-44	1
2	COVER SET, L. BODY	64650-K47-M30	ZC	ZB	ZA			F-23-10	5
3	COVER SET, L. HANDLE TOP	53210-K47-M00	ZG	ZD	ZF			F-7	11
4	COVER SET, L. MAIN PIPE SIDE	64465-K47-M30	ZC	ZB	ZA			F-44-10	11
5	COVER SET, R. BODY	64600-K47-M30	ZC	ZB	ZA			F-23-10	4
6	COVER SET, R. MAIN PIPE SIDE	64460-K47-M30	ZC	ZB	ZA			F-44-10	10
7	COVER SET, RR. LICENSE LIGHT	80105-K07-M50	ZA	ZA	ZA			F-34	11
8	COVER, AIR CLEANER OUTLET	64320-K07-900	ZX	ZU	ZW			F-44-10	5
9	COVER, CENTER	64340-K07-M00	ZA	ZA	ZA			F-23-10	1
10	COVER, L. LEG SHIELD INNER	64360-K07-900	ZB	ZB	ZB			F-44	3
11	COVER, L. MAIN PIPE SIDE LOWER	64380-K47-M00	ZA	ZA	ZA			F-44-10	7
12	COVER, MAIN PIPE	64310-K07-M02	ZA	ZA	ZA			F-44-10	2
13	COVER, R. HANDLE TOP	53203-K47-M00	ZG	ZD	ZF			F-7	7
14	COVER, R. LEG SHIELD INNER	64350-K07-900	ZB	ZB	ZB			F-44	2
15	COVER, R. MAIN PIPE SIDE LOWER	64370-K47-N00	ZA	ZA	ZA			F-44-10	6
16	COVER, SPEEDOMETER	53209-K47-M00	ZG	ZC	ZF			F-7	10
17	COVER, TAIL	64480-K07-M50	ZC	ZC	ZC			F-23-10	2
18	FENDER A, FR.	61100-K07-900	ZG	ZG	ZG			F-10	4
19	FENDER B, FR.	61200-K09-840	ZA	ZA	ZA			F-10	5
20	FENDER, RR.	80100-K47-M00	ZA	ZA	ZA			F-34	10

AFP125CRF (AFP125CRFL).....MA

No.	MODEL		AFP125CRFL						
	COLOR		Candy scintillate red	Pearl nightfall blue	Clipper yellow	Applicable model		Applicable block No.	Ref. No.
	CODE		R-356C	PB-407P	Y-106	Initial applicable model	Final applicable model		
	Name of colored parts	Basic part No.	R356	PB407	Y106				
21	FENDER, RR. INNER	80150-K47-M00	ZA	ZA	ZA			F-34	14
22	MARK	86531-KYZ-710	ZA	ZA	ZA			F-50-1	6
23	MARK, DRIVE CAUTION	87560-KW7-950	ZB	ZB	ZB			F-49	3
24	MARK, HONDA	86102-K07-M50	ZA	ZA	ZA			F-50-1	3
25	MARK, HONDA	86103-K07-M50	ZA	ZA	ZA			F-50-1	4
26	MARK, HONDA	86104-K47-M30	ZA	ZA	ZA			F-50-1	5
27	MOLDING, L. SIDE	64475-K07-900	ZA	ZA	ZA			F-44	5
28	MOLDING, R. SIDE	64470-K07-900	ZA	ZA	ZA			F-44	4
29	RAIL, RR. GRAB	50400-K07-900	ZK	ZJ	ZK			F-23	3
30	SHIELD SET, L. LEG	64750-K47-M30	ZC	ZB	ZA			F-44	7
31	SHIELD SET, R. LEG	64700-K47-M30	ZC	ZB	ZA			F-44	6
32	STRIPE KIT, L. WHEEL	42880-K47-M30	ZB	ZC	ZA			F-50-1	2
33	STRIPE KIT, R. WHEEL	42870-K47-M30	ZB	ZC	ZA			F-50-1	1
34	STRIPE, L. BODY COVER	86648-K47-M30	ZC	ZB	ZA			F-50-1	12
35	STRIPE, L. FR. TOP COVER	86642-K47-M30	ZC	ZB	ZA			F-50-1	8
36	STRIPE, L. LEG SHIELD	86652-K47-M30	ZC	ZB	ZA			F-50-1	14
37	STRIPE, L. MAIN PIPE SIDE COVER	86644-K47-M30	ZC	ZB	ZA			F-50-1	10
38	STRIPE, R. BODY COVER	86647-K47-M30	ZC	ZB	ZA			F-50-1	11
39	STRIPE, R. FR. TOP COVER	86641-K47-M30	ZC	ZB	ZA			F-50-1	7
40	STRIPE, R. LEG SHIELD	86651-K47-M30	ZC	ZB	ZA			F-50-1	13

AFP125CRF (AFP125CRFL).....MA

No.	MODEL		AFP125CRFL						
	COLOR		Candy scintillate red	Pearl nightfall blue	Clipper yellow	Applicable model		Applicable block No.	Ref. No.
	CODE		R-356C	PB-407P	Y-106	Initial applicable model	Final applicable model		
	Name of colored parts	Basic part No.	R356	PB407	Y106				
41	STRIPE, R. MAIN PIPE SIDE COVER	86643-K47-M30	ZC	ZB	ZA			F-50-1	9
42	SWINGARM SUB ASSY., RR.	52200-K41-N10	ZB	ZB	ZB			F-32	12
43	VISOR SET, FR.	53280-K47-M00	ZA	ZA	ZA			F-7	12
44	WHEEL SUB ASSY., FR.	44650-K47-M30	ZC	ZB	ZA			F-14-40	16
45	WHEEL SUB ASSY., RR.	42650-K47-M30	ZC	ZB	ZA			F-19-40	23

PARTS CATALOGUE NEWS

BOOKNo. : 18K47KM1

AFP125CSF (AFP125CSFL)

No.	MODEL		AFP125CSFL						
	COLOR		Candy scintillate red	Pearl nightfall blue	Clipper yellow	Applicable model		Applicable block No.	Ref. No.
	CODE		R-356C	PB-407P	Y-106	Initial applicable model	Final applicable model		
	Name of colored parts	Basic part No.	R356	PB407	Y106				
1	COVER SET, FR. TOP	64200-K47-M30	ZC	ZB	ZA			F-44	1
2	COVER SET, L. BODY	64650-K47-M30	ZC	ZB	ZA			F-23-10	5
3	COVER SET, L. HANDLE TOP	53210-K47-M00	ZG	ZD	ZF			F-7	11
4	COVER SET, L. MAIN PIPE SIDE	64465-K47-M30	ZC	ZB	ZA			F-44-10	11
5	COVER SET, R. BODY	64600-K47-M30	ZC	ZB	ZA			F-23-10	4
6	COVER SET, R. MAIN PIPE SIDE	64460-K47-M30	ZC	ZB	ZA			F-44-10	10
7	COVER SET, RR. LICENSE LIGHT	80105-K07-M50	ZA	ZA	ZA			F-34	11
8	COVER, AIR CLEANER OUTLET	64320-K07-900	ZX	ZU	ZW			F-44-10	5
9	COVER, CENTER	64340-K07-M00	ZA	ZA	ZA			F-23-10	1
10	COVER, L. LEG SHIELD INNER	64360-K07-900	ZB	ZB	ZB			F-44	3
11	COVER, L. MAIN PIPE SIDE LOWER	64380-K47-M00	ZA	ZA	ZA			F-44-10	7
12	COVER, MAIN PIPE	64310-K07-M02	ZA	ZA	ZA			F-44-10	2
13	COVER, R. HANDLE TOP	53203-K47-M00	ZG	ZD	ZF			F-7	7
14	COVER, R. LEG SHIELD INNER	64350-K07-900	ZB	ZB	ZB			F-44	2
15	COVER, R. MAIN PIPE SIDE LOWER	64370-K47-N00	ZA	ZA	ZA			F-44-10	6
16	COVER, SPEEDOMETER	53209-K47-M00	ZG	ZC	ZF			F-7	10
17	COVER, TAIL	64480-K07-M50	ZC	ZC	ZC			F-23-10	2
18	FENDER A, FR.	61100-K07-900	ZG	ZG	ZG			F-10	4
19	FENDER B, FR.	61200-K09-840	ZA	ZA	ZA			F-10	5
20	FENDER, RR.	80100-K47-M00	ZA	ZA	ZA			F-34	10

AFP125CSF (AFP125CSFL)

No.	MODEL		AFP125CSFL						
	COLOR		Candy scintillate red	Pearl nightfall blue	Clipper yellow	Applicable model		Applicable block No.	Ref. No.
	CODE		R-356C	PB-407P	Y-106	Initial applicable model	Final applicable model		
	Name of colored parts	Basic part No.	R356	PB407	Y106				
21	FENDER, RR. INNER	80150-K47-M00	ZA	ZA	ZA			F-34	14
22	MARK	86531-KYZ-710	ZA	ZA	ZA			F-50-1	6
23	MARK, DRIVE CAUTION	87560-KW7-950	ZB	ZB	ZB			F-49	3
24	MARK, HONDA	86102-K07-M50	ZA	ZA	ZA			F-50-1	3
25	MARK, HONDA	86103-K07-M50	ZA	ZA	ZA			F-50-1	4
26	MARK, HONDA	86104-K47-M30	ZA	ZA	ZA			F-50-1	5
27	MOLDING, L. SIDE	64475-K07-900	ZA	ZA	ZA			F-44	5
28	MOLDING, R. SIDE	64470-K07-900	ZA	ZA	ZA			F-44	4
29	PANEL COMP., RR. BRAKE	43100-KWW-640	ZD	ZD	ZD			F-18	2
30	RAIL, RR. GRAB	50400-K07-900	ZK	ZJ	ZK			F-23	3
31	SHIELD SET, L. LEG	64750-K47-M30	ZC	ZB	ZA			F-44	7
32	SHIELD SET, R. LEG	64700-K47-M30	ZC	ZB	ZA			F-44	6
33	STRIPE KIT, L. WHEEL	42880-K47-M30	ZB	ZC	ZA			F-50-1	2
34	STRIPE KIT, R. WHEEL	42870-K47-M30	ZB	ZC	ZA			F-50-1	1
35	STRIPE, L. BODY COVER	86648-K47-M30	ZC	ZB	ZA			F-50-1	12
36	STRIPE, L. FR. TOP COVER	86642-K47-M30	ZC	ZB	ZA			F-50-1	8
37	STRIPE, L. LEG SHIELD	86652-K47-M30	ZC	ZB	ZA			F-50-1	14
38	STRIPE, L. MAIN PIPE SIDE COVER	86644-K47-M30	ZC	ZB	ZA			F-50-1	10
39	STRIPE, R. BODY COVER	86647-K47-M30	ZC	ZB	ZA			F-50-1	11
40	STRIPE, R. FR. TOP COVER	86641-K47-M30	ZC	ZB	ZA			F-50-1	7

AFP125CSF (AFP125CSFL)

No.	MODEL		AFP125CSFL						
	COLOR		Candy scintillate red	Pearl nightfall blue	Clipper yellow	Applicable model		Applicable block No.	Ref. No.
	CODE		R-356C	PB-407P	Y-106	Initial applicable model	Final applicable model		
	Name of colored parts	Basic part No.	R356	PB407	Y106				
41	STRIPE, R. LEG SHIELD	86651-K47-M30	ZC	ZB	ZA			F-50-1	13
42	STRIPE, R. MAIN PIPE SIDE COVER	86643-K47-M30	ZC	ZB	ZA			F-50-1	9
43	SWINGARM SUB ASSY., RR.	52200-K47-M10	ZA	ZA	ZA			F-32	12
44	VISOR SET, FR.	53280-K47-M00	ZA	ZA	ZA			F-7	12
45	WHEEL SUB ASSY., FR.	44650-K47-M30	ZC	ZB	ZA			F-14-40	16
46	WHEEL SUB ASSY., RR.	42650-K47-M40	ZC	ZB	ZA			F-19-30	21

PARTS CATALOGUE NEWS

BOOKNo. : 18K47KM1

Block No.	Ref. No.	Part No.	Description	Reqd. QTY				Base Part No.	Parts catalogue code
				CRF K	AFP125 CSF K	CRF L	CSF L		
E-4	8	14610-KWB-601	ROLLER COMP., CAM CHAIN GUIDE.	-	-	1	-	2MA	
		14610-KWB-601	ROLLER COMP., CAM CHAIN GUIDE.	-	-	1	1	MA	
	10	14670-KYZ-901	ROLLER COMP., CAM CHAIN GUIDE.	-	-	1	-	2MA	
		14670-KYZ-901	ROLLER COMP., CAM CHAIN GUIDE.	-	-	1	1	MA	
E-13	1	31200-KPW-901	MOTOR ASSY., STARTER (MITSUBA).	-	-	1	-	31200-KPH-881	2MA
		31200-KPW-901	MOTOR ASSY., STARTER (MITSUBA).	-	-	1	1	31200-KPH-881	MA
	2	31201-KVS-J01	TERMINAL SET, BRUSH.....	-	-	1	-	31201-KPH-881	2MA
		31201-KVS-J01	TERMINAL SET, BRUSH.....	-	-	1	1	31201-KPH-881	MA
	4	31205-KPW-901	BOLT, SETTING.....	-	-	2	-	31205-KPH-881	2MA
		31205-KPW-901	BOLT, SETTING.....	-	-	2	2	31205-KPH-881	MA
	5	31206-KPW-901	HOLDER, BRUSH.....	-	-	1	-	31206-KPH-881	2MA
		31206-KPW-901	HOLDER, BRUSH.....	-	-	1	1	31206-KPH-881	MA
F-7	7	53203-K47-M00ZF	COVER, R. HANDLE TOP *Y106*. CLIPPER YELLOW	-	-	1	1		MA
		53203-K47-M00ZG	COVER, R. HANDLE TOP *R356C*. CANDY SCINTILLATE RED	-	-	1	1		MA
		COVER, R. HANDLE TOP *R331*. VIVACITY RED	-	-	0	0	53203-K47-M00ZC	MA	
		COVER, R. HANDLE TOP *NHA69P*. PEARL MAGELLANIC BLACK	-	-	0	0	53203-K47-M00ZE	MA	
	10	53209-K47-M00ZF	COVER, SPEEDOMETER *Y106*. CLIPPER YELLOW	-	-	1	1		MA
		53209-K47-M00ZG	COVER, SPEEDOMETER *R356C*. CANDY SCINTILLATE RED	-	-	1	1		MA
		COVER, SPEEDOMETER *R331*. VIVACITY RED	-	-	0	0	53209-K47-M00ZB	MA	

PARTS CATALOGUE NEWS

BOOKNo. : 18K47KM1

Block No.	Ref. No.	Part No.	Description	Reqd. QTY				Base Part No.	Parts catalogue code
				CRF K	AFP125 CSF K	CRF L	CSF L		
			COVER, SPEEDOMETER *NHA69P*. PEARL MAGELLANIC BLACK	-	-	0	0	53209-K47-M00ZE	MA
	11	53210-K47-M00ZF	COVER SET, L. HANDLE TOP (WL) *Y106*.....CLIPPER YELLOW	-	-	1	1		MA
		53210-K47-M00ZG	COVER SET, L. HANDLE TOP (WL) *R356C*..CANDY SCINTILLATE RED	-	-	1	1		MA
			COVER SET, L. HANDLE TOP (WL) *R331*.....VIVACITY RED	-	-	0	0	53210-K47-M00ZC	MA
			COVER SET, L. HANDLE TOP (WL) *NHA69P*. PEARL MAGELLANIC BLACK	-	-	0	0	53210-K47-M00ZE	MA
F-10	4		FENDER A, FR. *R331*.....VIVACITY RED	-	-	0	0	61100-K07-900ZN	MA
			FENDER A, FR. *PB407P*..PEARL NIGHTFALL BLUE	-	-	0	0	61100-K07-900ZR	MA
F-14-40	6	44711-K07-M03	TIRE, FR. (IRC) (70/90-17M/C 38P)	-	-	1	-	44711-K07-M01	2MA
		44711-K07-M03	TIRE, FR. (IRC) (70/90-17M/C 38P)	-	-	1	1	44711-K07-M01	MA
	16	44650-K47-M30ZA	WHEEL SUB ASSY., FR. (WL) *TYPE3*.....	-	-	1	1	44650-K47-M00ZB	MA
		44650-K47-M30ZB	WHEEL SUB ASSY., FR. (WL) *TYPE2*.....	-	-	1	1	44650-K47-M00ZC	MA
		44650-K47-M30ZC	WHEEL SUB ASSY., FR. (WL) *TYPE1*.....	-	-	1	1	44650-K47-M00ZD	MA

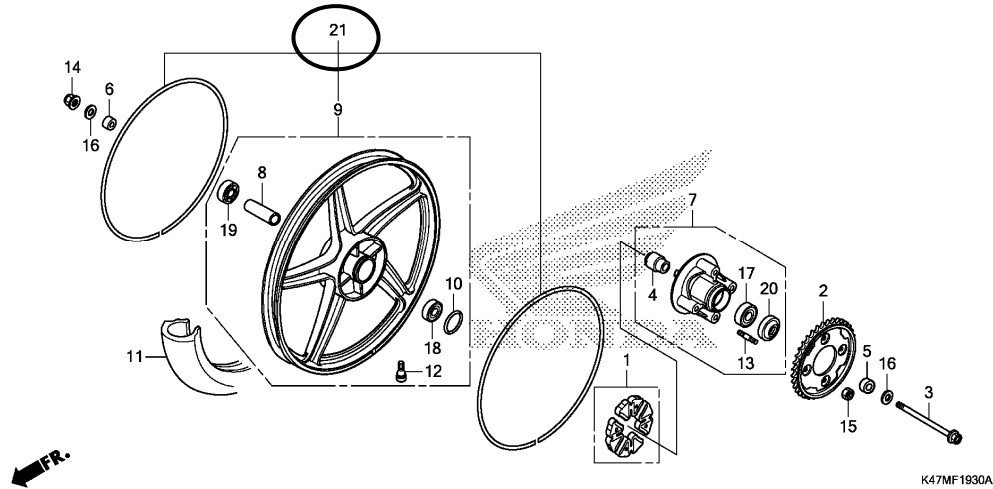
PARTS CATALOGUE NEWS

BOOKNo. : 18K47KM1

Block No.	Ref. No.	Part No.	Description	Reqd. QTY				Base Part No.	Parts catalogue code
				CRF K	AFP125 CSF K	CRF L	CSF L		

F-19-30 REAR WHEEL (AFP125CSF)

Ref. No.	(Relative ref. Number)	Description	FRT
9	(21)	710118 REAR WHEEL	0.6



F-19-30	9	WHEEL SUB ASSY., RR. (WL) *TYPE3*.....	- - - 0	42650-K47-M10ZB	MA
		WHEEL SUB ASSY., RR. (WL) *TYPE2*.....	- - - 0	42650-K47-M10ZC	MA
		WHEEL SUB ASSY., RR. (WL) *TYPE1*.....	- - - 0	42650-K47-M10ZD	MA
	11	42711-K07-M03 TIRE, RR. (IRC) (80/90-17M/C 50P)	- - - 1	42711-K07-M01	MA
	21	42650-K47-M40ZA WHEEL SUB ASSY., RR. (WL) *TYPE3*.....	- - - 1		MA
		42650-K47-M40ZB WHEEL SUB ASSY., RR. (WL) *TYPE2*.....	- - - 1		MA
		42650-K47-M40ZC WHEEL SUB ASSY., RR. (WL) *TYPE1*.....	- - - 1		MA
F-19-40	11	42711-K07-M03 TIRE, RR. (IRC) (80/90-17M/C 50P)	- - 1 -	42711-K07-M01	2MA, MA

PARTS CATALOGUE NEWS

BOOKNo. : 18K47KM1

Block No.	Ref. No.	Part No.	Description	Reqd. QTY				Base Part No.	Parts catalogue code
				CRF K	AFP125 CSF K	CRF L	CSF L		
	23	42650-K47-M30ZA	WHEEL SUB ASSY., RR. (WL) *TYPE3*.....	-	-	1	-	42650-K47-M00ZB	MA
		42650-K47-M30ZB	WHEEL SUB ASSY., RR. (WL) *TYPE2*.....	-	-	1	-	42650-K47-M00ZC	MA
		42650-K47-M30ZC	WHEEL SUB ASSY., RR. (WL) *TYPE1*.....	-	-	1	-	42650-K47-M00ZD	MA
F-23	3	50400-K07-900ZJ	RAIL, RR. GRAB *PB407P*. PEARL NIGHTFALL BLUE	-	-	-	1		MA
		50400-K07-900ZK	RAIL, RR. GRAB *NH411M*. FORCE SILVER METALLIC	-	-	-	1		MA
			RAIL, RR. GRAB *NH1*..... BLACK	-	-	-	0	50400-K07-900ZE	MA
			RAIL, RR. GRAB *R331*..... VIVACITY RED	-	-	0	-	50400-K07-900ZF	MA
F-23-10	4	64600-K47-M30ZA	COVER SET, R. BODY (WL) *TYPE3*.....	-	-	1	1	64600-K47-M00ZB	MA
		64600-K47-M30ZB	COVER SET, R. BODY (WL) *TYPE2*.....	-	-	1	1	64600-K47-M00ZC	MA
		64600-K47-M30ZC	COVER SET, R. BODY (WL) *TYPE1*.....	-	-	1	1	64600-K47-M00ZD	MA
	5	64650-K47-M30ZA	COVER SET, L. BODY (WL) *TYPE3*.....	-	-	1	1	64650-K47-M00ZB	MA
		64650-K47-M30ZB	COVER SET, L. BODY (WL) *TYPE2*.....	-	-	1	1	64650-K47-M00ZC	MA
		64650-K47-M30ZC	COVER SET, L. BODY (WL) *TYPE1*.....	-	-	1	1	64650-K47-M00ZD	MA
F-44	1	64200-K47-M30ZA	COVER SET, FR. TOP (WL) *TYPE3*.....	-	-	1	1	64200-K47-M00ZB	MA
		64200-K47-M30ZB	COVER SET, FR. TOP (WL) *TYPE2*.....	-	-	1	1	64200-K47-M00ZC	MA
		64200-K47-M30ZC	COVER SET, FR. TOP (WL) *TYPE1*.....	-	-	1	1	64200-K47-M00ZD	MA

PARTS CATALOGUE NEWS

BOOKNo. : 18K47KM1

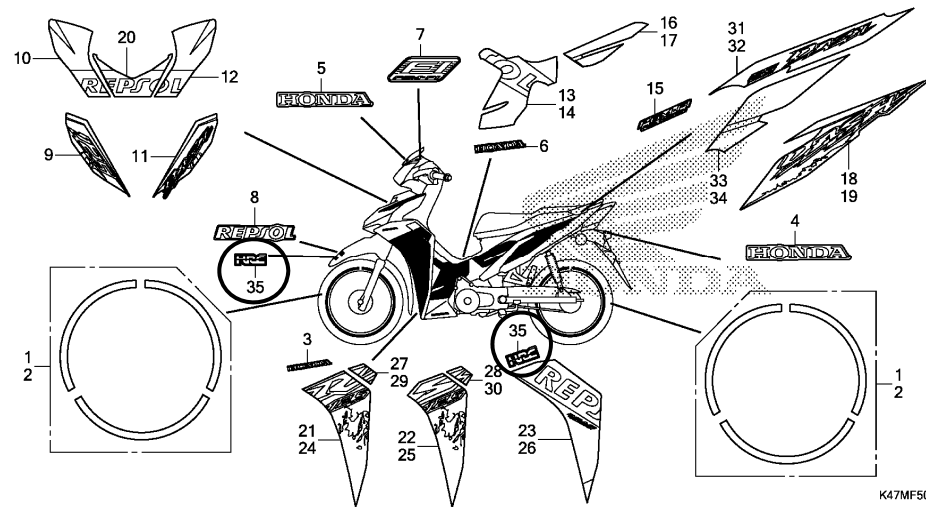
Block No.	Ref. No.	Part No.	Description	Reqd. QTY				Base Part No.	Parts catalogue code
				CRF K	AFP125 CSF K	CRF L	CSF L		
	6	64700-K47-M30ZA	SHIELD SET, R. LEG (WL) *TYPE3*.....	-	-	1	-	64700-K47-M00ZB	MA
		64700-K47-M30ZA	SHIELD SET, R. LEG (WL) *TYPE3*.....	-	-	-	1	64700-K47-M10ZB	MA
		64700-K47-M30ZB	SHIELD SET, R. LEG (WL) *TYPE2*.....	-	-	1	-	64700-K47-M00ZC	MA
		64700-K47-M30ZB	SHIELD SET, R. LEG (WL) *TYPE2*.....	-	-	-	1	64700-K47-M10ZC	MA
		64700-K47-M30ZC	SHIELD SET, R. LEG (WL) *TYPE1*.....	-	-	1	-	64700-K47-M00ZD	MA
		64700-K47-M30ZC	SHIELD SET, R. LEG (WL) *TYPE1*.....	-	-	-	1	64700-K47-M10ZD	MA
	7	64750-K47-M30ZA	SHIELD SET, L. LEG (WL) *TYPE3*.....	-	-	1	-	64750-K47-M00ZB	MA
		64750-K47-M30ZA	SHIELD SET, L. LEG (WL) *TYPE3*.....	-	-	-	1	64750-K47-M10ZB	MA
		64750-K47-M30ZB	SHIELD SET, L. LEG (WL) *TYPE2*.....	-	-	1	-	64750-K47-M00ZC	MA
		64750-K47-M30ZB	SHIELD SET, L. LEG (WL) *TYPE2*.....	-	-	-	1	64750-K47-M10ZC	MA
		64750-K47-M30ZC	SHIELD SET, L. LEG (WL) *TYPE1*.....	-	-	1	-	64750-K47-M00ZD	MA
		64750-K47-M30ZC	SHIELD SET, L. LEG (WL) *TYPE1*.....	-	-	-	1	64750-K47-M10ZD	MA
F-44-10	5	64320-K07-900ZW	COVER, AIR CLEANER OUTLET *Y106*..... CLIPPER YELLOW	-	-	1	1		MA
		64320-K07-900ZX	COVER, AIR CLEANER OUTLET *R356C*.. CANDY SCINTILLATE RED	-	-	1	1		MA
			COVER, AIR CLEANER OUTLET *NHA69P*.. PEARL MAGELLANIC BLACK	-	-	0	0	64320-K07-900ZG	MA
			COVER, AIR CLEANER OUTLET *R331*..... VIVACITY RED	-	-	0	0	64320-K07-900ZS	MA

PARTS CATALOGUE NEWS

BOOKNo. : 18K47KM1

Block No.	Ref. No.	Part No.	Description	Reqd. QTY				Base Part No.	Parts catalogue code	
				CRF K	AFP125 CSF K	CRF L	CSF L			
10	64460-K47-M30ZA	COVER SET, R. MAIN PIPE SIDE (WL) *TYPE3*.....	-	-	1	1	64460-K47-M00ZB	MA		
			64460-K47-M30ZB	COVER SET, R. MAIN PIPE SIDE (WL) *TYPE2*.....	-	-	1	1	64460-K47-M00ZC	MA
					64460-K47-M30ZC	COVER SET, R. MAIN PIPE SIDE (WL) *TYPE1*.....	-	-	1	1
11	64465-K47-M30ZA	COVER SET, L. MAIN PIPE SIDE (WL) *TYPE3*.....	-	-			1	1	64465-K47-M00ZB	MA
			64465-K47-M30ZB	COVER SET, L. MAIN PIPE SIDE (WL) *TYPE2*.....	-	-	1	1	64465-K47-M00ZC	MA
					64465-K47-M30ZC	COVER SET, L. MAIN PIPE SIDE (WL) *TYPE1*.....	-	-	1	1

F-50 MARK/STRIPE (1)



K47MF5000A

PARTS CATALOGUE NEWS

BOOKNo. : 18K47KM1

Block No.	Ref. No.	Part No.	Description	Reqd. QTY				Base Part No.	Parts catalogue code
				CRF K	AFP125 CSF K	CRF L	CSF L		
F-50	1		STRIPE KIT, R. WHEEL *Y196*. LEMON ICE YELLOW	-	-	0	0	42870-K47-M00ZA	MA
			STRIPE KIT, R. WHEEL *R331*. VIVACITY RED	-	-	0	0	42870-K47-M00ZB	MA
			STRIPE KIT, R. WHEEL *PB407P*. PEARL NIGHTFALL BLUE	-	-	0	0	42870-K47-M00ZC	MA
	2		STRIPE KIT, L. WHEEL *Y196*. LEMON ICE YELLOW	-	-	0	0	42880-K47-M00ZA	MA
			STRIPE KIT, L. WHEEL *R331*. VIVACITY RED	-	-	0	0	42880-K47-M00ZB	MA
			STRIPE KIT, L. WHEEL *PB407P*. PEARL NIGHTFALL BLUE	-	-	0	0	42880-K47-M00ZC	MA
	3		MARK, HONDA (125MM) *TYPE1*.	-	-	0	0	86101-K47-M00ZA	MA
	4		MARK, HONDA (65MM) *TYPE1*.	-	-	0	0	86102-K07-M50ZA	MA
	5		MARK, HONDA (60MM) *TYPE1*.	-	-	0	0	86103-K07-M50ZA	MA
	7		MARK (F1) *TYPE1*.	-	-	0	0	86531-KYZ-710ZA	MA
	9		STRIPE, R. FR. TOP COVER *TYPE3*.	-	-	0	0	86641-K47-M00ZB	MA
			STRIPE, R. FR. TOP COVER *TYPE2*.	-	-	0	0	86641-K47-M00ZC	MA
			STRIPE, R. FR. TOP COVER *TYPE1*.	-	-	0	0	86641-K47-M00ZD	MA
	11		STRIPE, L. FR. TOP COVER *TYPE3*.	-	-	0	0	86642-K47-M00ZB	MA
			STRIPE, L. FR. TOP COVER *TYPE2*.	-	-	0	0	86642-K47-M00ZC	MA
		STRIPE, L. FR. TOP COVER *TYPE1*.	-	-	0	0	86642-K47-M00ZD	MA	

PARTS CATALOGUE NEWS

BOOKNo. : 18K47KM1

Block No.	Ref. No.	Part No.	Description	Reqd. QTY				Base Part No.	Parts catalogue code
				CRF K	AFP125 CSF K	CRF L	CSF L		
	15		MARK, PGM-FI *TYPE3*.....	-	-	0	0	86645-K47-M00ZB	MA
			MARK, PGM-FI *TYPE2*.....	-	-	0	0	86645-K47-M00ZC	MA
			MARK, PGM-FI *TYPE1*.....	-	-	0	0	86645-K47-M00ZD	MA
	18		STRIPE, R. BODY COVER *TYPE3*.....	-	-	0	0	86647-K47-M00ZB	MA
			STRIPE, R. BODY COVER *TYPE2*.....	-	-	0	0	86647-K47-M00ZC	MA
			STRIPE, R. BODY COVER *TYPE1*.....	-	-	0	0	86647-K47-M00ZD	MA
	19		STRIPE, L. BODY COVER *TYPE3*.....	-	-	0	0	86648-K47-M00ZB	MA
			STRIPE, L. BODY COVER *TYPE2*.....	-	-	0	0	86648-K47-M00ZC	MA
			STRIPE, L. BODY COVER *TYPE1*.....	-	-	0	0	86648-K47-M00ZD	MA
	21		STRIPE A, R. LEG SHIELD *TYPE3*.....	-	-	0	-	86651-K47-M00ZB	MA
			STRIPE A, R. LEG SHIELD *TYPE2*.....	-	-	0	-	86651-K47-M00ZC	MA
			STRIPE A, R. LEG SHIELD *TYPE1*.....	-	-	0	-	86651-K47-M00ZD	MA
	22		STRIPE A, R. LEG SHIELD *TYPE3*.....	-	-	-	0	86651-K47-M10ZB	MA
			STRIPE A, R. LEG SHIELD *TYPE2*.....	-	-	-	0	86651-K47-M10ZC	MA
			STRIPE A, R. LEG SHIELD *TYPE1*.....	-	-	-	0	86651-K47-M10ZD	MA
	24		STRIPE A, L. LEG SHIELD *TYPE3*.....	-	-	0	-	86652-K47-M00ZB	MA

PARTS CATALOGUE NEWS

BOOKNo. : 18K47KM1

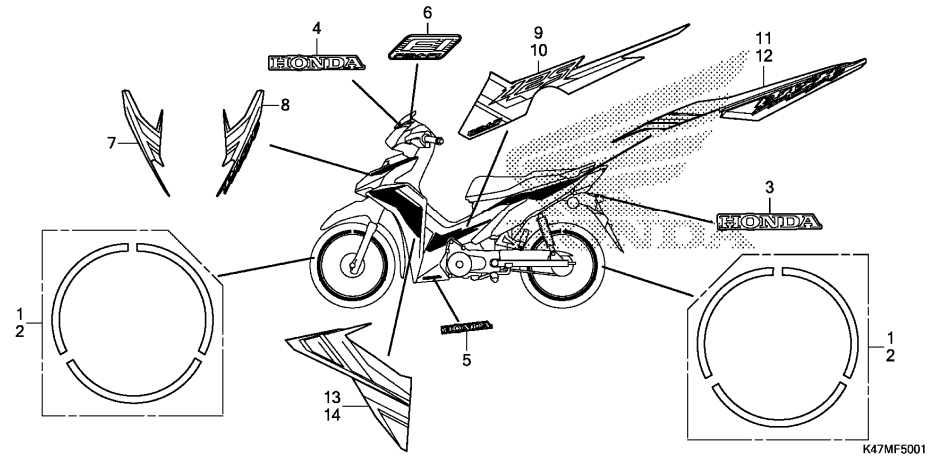
Block No.	Ref. No.	Part No.	Description	Reqd. QTY				Base Part No.	Parts catalogue code
				CRF K	AFP125 CSF K	CRF L	CSF L		
			STRIPE A, L. LEG SHIELD *TYPE2*.....	-	-	0	-	86652-K47-M00ZC	MA
			STRIPE A, L. LEG SHIELD *TYPE1*.....	-	-	0	-	86652-K47-M00ZD	MA
	25		STRIPE A, L. LEG SHIELD *TYPE3*.....	-	-	-	0	86652-K47-M10ZB	MA
			STRIPE A, L. LEG SHIELD *TYPE2*.....	-	-	-	0	86652-K47-M10ZC	MA
			STRIPE A, L. LEG SHIELD *TYPE1*.....	-	-	-	0	86652-K47-M10ZD	MA
	27		STRIPE B, R. LEG SHIELD *TYPE3*.....	-	-	0	-	86653-K47-M00ZB	MA
			STRIPE B, R. LEG SHIELD *TYPE2*.....	-	-	0	-	86653-K47-M00ZC	MA
			STRIPE B, R. LEG SHIELD *TYPE1*.....	-	-	0	-	86653-K47-M00ZD	MA
	28		STRIPE B, R. LEG SHIELD *TYPE3*.....	-	-	-	0	86653-K47-M10ZB	MA
			STRIPE B, R. LEG SHIELD *TYPE2*.....	-	-	-	0	86653-K47-M10ZC	MA
			STRIPE B, R. LEG SHIELD *TYPE1*.....	-	-	-	0	86653-K47-M10ZD	MA
	29		STRIPE B, L. LEG SHIELD *TYPE3*.....	-	-	0	-	86654-K47-M00ZB	MA
			STRIPE B, L. LEG SHIELD *TYPE2*.....	-	-	0	-	86654-K47-M00ZC	MA
			STRIPE B, L. LEG SHIELD *TYPE1*.....	-	-	0	-	86654-K47-M00ZD	MA
	30		STRIPE B, L. LEG SHIELD *TYPE3*.....	-	-	-	0	86654-K47-M10ZB	MA
			STRIPE B, L. LEG SHIELD *TYPE2*.....	-	-	-	0	86654-K47-M10ZC	MA

PARTS CATALOGUE NEWS

BOOKNo. : 18K47KM1

Block No.	Ref. No.	Part No.	Description	Reqd. QTY				Base Part No.	Parts catalogue code
				CRF K	AFP125 CSF K	CRF L	CSF L		
			STRIPE B, L. LEG SHIELD *TYPE1*.....	-	-	-	0	86654-K47-M10ZD MA	
	35	86615-K56-N20	MARK, HRC (70MM).....	-	-	3	-	2MA	

F-50-1 MARK/STRIPE (2)



F-50-1	1	42870-K47-M30ZA	STRIPE KIT, R. WHEEL *Y106*..... CLIPPER YELLOW	-	-	2	2	MA
		42870-K47-M30ZB	STRIPE KIT, R. WHEEL *R356C*..... CANDY SCINTILLATE RED	-	-	2	2	MA
		42870-K47-M30ZC	STRIPE KIT, R. WHEEL *PB407P*..... PEARL NIGHTFALL BLUE	-	-	2	2	MA
	2	42880-K47-M30ZA	STRIPE KIT, L. WHEEL *Y106*..... CLIPPER YELLOW	-	-	2	2	MA
		42880-K47-M30ZB	STRIPE KIT, L. WHEEL *R356C*..... CANDY SCINTILLATE RED	-	-	2	2	MA
		42880-K47-M30ZC	STRIPE KIT, L. WHEEL *PB407P*..... PEARL NIGHTFALL BLUE	-	-	2	2	MA

PARTS CATALOGUE NEWS

BOOKNo. : 18K47KM1

Block No.	Ref. No.	Part No.	Description	Reqd. QTY				Base Part No.	Parts catalogue code
				CRF K	AFP125 CSF K	CRF L	CSF L		
	3	86102-K07-M50ZA	MARK, HONDA (65MM) *TYPE1*.....	-	-	1	1	MA	
	4	86103-K07-M50ZA	MARK, HONDA (60MM) *TYPE1*.....	-	-	1	1	MA	
	5	86104-K47-M30ZA	MARK, HONDA (130MM) *TYPE1*.....	-	-	2	2	MA	
	6	86531-KYZ-710ZA	MARK (F1) *TYPE1*.....	-	-	1	1	MA	
	7	86641-K47-M30ZA	STRIPE, R. FR. TOP COVER *TYPE3*.....	-	-	1	1	MA	
		86641-K47-M30ZB	STRIPE, R. FR. TOP COVER *TYPE2*.....	-	-	1	1	MA	
		86641-K47-M30ZC	STRIPE, R. FR. TOP COVER *TYPE1*.....	-	-	1	1	MA	
	8	86642-K47-M30ZA	STRIPE, L. FR. TOP COVER *TYPE3*.....	-	-	1	1	MA	
		86642-K47-M30ZB	STRIPE, L. FR. TOP COVER *TYPE2*.....	-	-	1	1	MA	
		86642-K47-M30ZC	STRIPE, L. FR. TOP COVER *TYPE1*.....	-	-	1	1	MA	
	9	86643-K47-M30ZA	STRIPE, R. MAIN PIPE SIDE COVER *TYPE3*.....	-	-	1	1	MA	
		86643-K47-M30ZB	STRIPE, R. MAIN PIPE SIDE COVER *TYPE2*.....	-	-	1	1	MA	
		86643-K47-M30ZC	STRIPE, R. MAIN PIPE SIDE COVER *TYPE1*.....	-	-	1	1	MA	
	10	86644-K47-M30ZA	STRIPE, L. MAIN PIPE SIDE COVER *TYPE3*.....	-	-	1	1	MA	

PARTS CATALOGUE NEWS

BOOKNo. : 18K47KM1

Block No.	Ref. No.	Part No.	Description	Reqd. QTY				Base Part No.	Parts catalogue code
				CRF K	AFP125 CSF K	CRF L	CSF L		
		86644-K47-M30ZB	STRIPE, L. MAIN PIPE SIDE COVER			1	1	MA	
		86644-K47-M30ZC	STRIPE, L. MAIN PIPE SIDE COVER			1	1	MA	
11		86647-K47-M30ZA	STRIPE, R. BODY COVER			1	1	MA	
		86647-K47-M30ZB	STRIPE, R. BODY COVER			1	1	MA	
		86647-K47-M30ZC	STRIPE, R. BODY COVER			1	1	MA	
12		86648-K47-M30ZA	STRIPE, L. BODY COVER			1	1	MA	
		86648-K47-M30ZB	STRIPE, L. BODY COVER			1	1	MA	
		86648-K47-M30ZC	STRIPE, L. BODY COVER			1	1	MA	
13		86651-K47-M30ZA	STRIPE, R. LEG SHIELD			1	1	MA	
		86651-K47-M30ZB	STRIPE, R. LEG SHIELD			1	1	MA	
		86651-K47-M30ZC	STRIPE, R. LEG SHIELD			1	1	MA	
14		86652-K47-M30ZA	STRIPE, L. LEG SHIELD			1	1	MA	
		86652-K47-M30ZB	STRIPE, L. LEG SHIELD			1	1	MA	
		86652-K47-M30ZC	STRIPE, L. LEG SHIELD			1	1	MA	