

September 10, 2018



PARTS CATALOGUE NEWS

Honda Motor Co., Ltd.
Service Division Service Information Dept.

Printed in Japan

CODE NO.	18K97JM1
PARTS CATALOGUE NEWS	WW150 WW150J
NEWS NO.	002

(MA-KD)

NEW MODEL WW150HVJ-MA TYPE COMPONENT PARTS-MARKETED

This Parts News lists WW150HVJ-MA type parts exclusively and is based on WW150J-2MA type listed on the WW150 Parts Catalogue.

All other parts not listed herein are the same as WW150J-2MA type parts.

Model	Parts catalogue code	Type	Applicable engine serial No.	Applicable frame serial No.	Applicable throttle body serial No.
WW150HVJ	MA	Malaysia	KF31E-7000001~	PMKKF31D*JB000001~	M6B A

PARTS CATALOGUE NEWS

BOOKNo. : 18K97JM1

WW150HV (WW150HVJ)

No.	MODEL		WW150HVJ				
	COLOR		Pearl dark night blue PB-410P	Applicable model		Applicable block No.	Ref. No.
	CODE			Initial applicable model	Final applicable model		
	Name of colored parts	Basic part No.	PB410				
1	BASE, INNER POCKET LID	81143-K97-T00	ZA			F-13	12
2	CLIP, PANEL FIXING	91549-MW0-790	ZA			F-14	16
3	COVER SET, L. BODY	83650-K96-V00	ZB			F-15	8
4	COVER SET, L. FR. SIDE	64600-K96-J10	ZA			F-12	20
5	COVER SET, R. BODY	83550-K96-V00	ZB			F-15	7
6	COVER SET, R. FR. SIDE	64500-K97-T10	ZB			F-12	19
7	COVER, CENTER	64410-K97-T00	ZA			F-15	2
8	COVER, FR. CENTER	64503-K97-T00	ZD			F-12	7
9	COVER, GRAB RAIL	84151-K97-T00	ZD			F-24	16
10	COVER, HANDLE RR. UPPER	53207-K97-T00	ZA			F-9	8
11	COVER, INNER	81131-K97-T00	ZA			F-13	2
12	COVER, L. FLOOR SIDE	64432-K97-T00	ZG			F-14	6
13	COVER, L. PILLION STEP ARM OUTER	50742-K97-T00	ZA			F-14-10	10
14	COVER, L. STEP ARM INNER	50741-K97-T00	ZA			F-14-10	9
15	COVER, R. FLOOR SIDE	64431-K97-T00	ZG			F-14	5
16	COVER, R. PILLION STEP ARM OUTER	50732-K97-T00	ZA			F-14-10	7
17	COVER, R. STEP ARM INNER	50731-K97-T00	ZA			F-14-10	6
18	EMBLEM	86830-K97-T00	ZA			F-48	3
19	EMBLEM, HONDA	86101-K97-T10	ZA			F-48	1
20	FENDER, FR.	61100-K97-T00	ZD			F-11	2
21	GARNISH, FR.	64305-K97-T00	ZH			F-12	1
22	GARNISH, L.	64520-K97-T00	ZA			F-14	10

PARTS CATALOGUE NEWS

BOOKNo. : 18K97JM1

WW150HV (WW150HVJ)

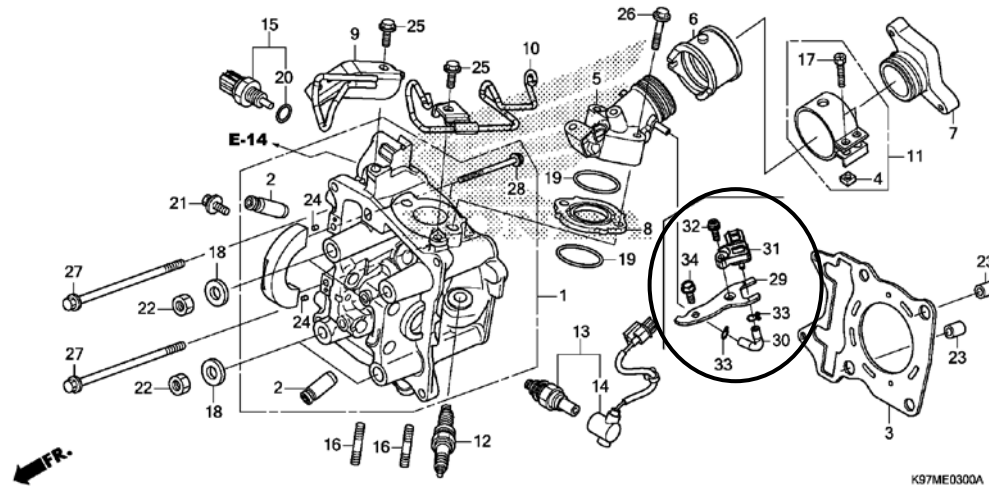
No.	MODEL		WW150HVJ				
	COLOR		Pearl dark night blue PB-410P	Applicable model		Applicable block No.	Ref. No.
	CODE			Initial applicable model	Final applicable model		
	Name of colored parts	Basic part No.	PB410				
23	GARNISH, R.	64510-K97-T00	ZA			F-14	9
24	HOLDER, HANDLE PIPE UPPER	53131-K97-T00	ZA			F-9	5
25	LID, FUEL	64405-K97-T00	ZA			F-15	1
26	LID, GRAB RAIL COVER	84152-K97-T00	ZH			F-24	17
27	LID, INNER POCKET	81141-K96-V00	ZC			F-13	10
28	LID, PLUG MAINTENANCE	64434-K97-T00	ZA			F-14	7
29	LID, RESERVE TANK	64435-K35-V00	ZB			F-14	8
30	LID, SMART EMERGENCY	81137-K97-T00	ZH			F-13	6
31	MOLDING, L. HEADLIGHT	64506-K97-T00	ZH			F-1	4
32	MOLDING, R. HEADLIGHT	64505-K97-T00	ZH			F-1	3
33	OUTER, INNER COVER	81140-K96-V00	ZA			F-13	9
34	OUTER, L. INNER COVER	81139-K97-T00	ZD			F-13	8
35	OUTER, R. INNER COVER	81138-K97-T00	ZD			F-13	7
36	PANEL, FR. METER	64336-K97-T00	ZA			F-12	3
37	PANEL, RR. METER	64337-K97-T00	ZA			F-12	4
38	PROTECTOR, MUFFLER	18318-K97-T00	ZA			F-30	6
39	SEAT COMP., DOUBLE	77200-K97-T00	ZB			F-24	2
40	STEP, L. FLOOR	64321-K97-T00	ZA			F-14	2
41	STEP, R. FLOOR	64311-K97-T00	ZA			F-14	1
42	VISOR SET, METER	67100-K97-S10	ZA			F-12	9
43	WHEEL SUB ASSY., FR.	44650-K97-T00	ZA			F-20-40	5
44	WHEEL SUB ASSY., RR.	42650-K97-T00	ZA			F-22-30	5

BOOKNo. :18K97JM1

Block No.	Ref. No.	Part No.	Description	Reqd. QTY		Base Part No.	Parts catalogue code
				WW 150 J	WW 150HV J		

E-3 CYLINDER HEAD

Ref. No.	(Relative ref. Number)	Description	FRT
31	617116	SENSOR, MAP	0.6



K97ME0300A

E-3	5	17110-K97-S10	PIPE COMP., INLET.....	-	1	17111-K97-U00	MA
	29	17535-K97-T10	STAY, PB.....	-	1		MA
	30	17537-K97-T10	TUBE, PB.....	-	1		MA
	31	46401-TM8-A01	SENSOR A, MASTER POWER PRESSURE	-	1		MA
	32	93893-06020-18	SCREW-WASHER, 6X20.....	-	1		MA
	33	95002-02070	CLIP, TUBE (B7).....	-	2		MA
	34	95701-06016-00	BOLT, FLANGE, 6X16.....	-	1		MA
E-10	2	1A240-K97-T12	STATOR COMP.....	-	1	31220-K97-T01	MA
E-13	1	11341-K96-J10	COVER, L. SIDE.....	-	1	11341-K97-T00	MA
E-16	4	22110-K97-T10	FACE COMP., MOVABLE DRIVE.....	-	1	22110-K97-T00	MA
	5	22123-KWN-710	ROLLER SET, WEIGHT.....	-	1	22123-KWN-780	MA

PARTS CATALOGUE NEWS

BOOKNo. :18K97JM1

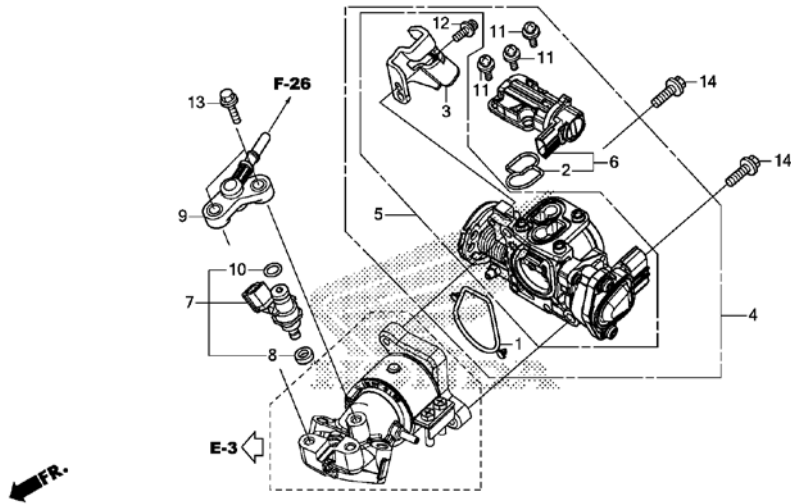
Block No.	Ref. No.	Part No.	Description	Reqd. QTY		Base Part No.	Parts catalogue code
				WW 150 J	WW 150HV J		
E-17	12	23233-K36-J00	SPRING, DRIVEN FACE.....	-	1	23233-K35-V00	MA
E-22	1		SENSOR SET.....	-	0	16060-K35-V01	MA
	2		O-RING, THROTTLE BODY.....	-	0	16075-K36-J01	MA
	3		O-RING.....	-	0	16076-K35-V01	MA
	4		O-RING.....	-	0	16077-K35-V01	MA
	5		STAY, WIRE.....	-	0	16169-K46-N21	MA
	6		BODY ASSY., THROTTLE(M7B A)...	-	0	16400-K97-T01	MA
	7		BODY SET.....	-	0	16410-K97-T01	MA
	8		VALVE SET, IDLE AIR CONTROL...	-	0	16430-K97-T01	MA
	9		INJECTOR ASSY., FUEL.....	-	0	16450-K36-J01	MA
	10		RING, SEAL.....	-	0	16472-KPC-D50	MA
	11		JOINT COMP., INJECTOR.....	-	0	17565-K01-900	MA
	12		O-RING, 6.3X2.2.....	-	0	91301-GGL-J01	MA
	13		SCREW-WASHER, 4X10.....	-	0	93891-04010-18	MA
	14		SCREW-WASHER, 4X16.....	-	0	93891-04016-18	MA
	15		SCREW-WASHER, 5X12.....	-	0	93892-05012-18	MA
	16		BOLT, FLANGE, 6X22.....	-	0	95701-06022-00	MA
	17		BOLT, FLANGE, 6X20.....	-	0	96001-06020-00	MA

BOOKNo. :18K97JM1

Block No.	Ref. No.	Part No.	Description	Reqd. QTY		Base Part No.	Parts catalogue code
				WW 150 J	WW 150HV J		

E-22-1 THROTTLE BODY/FUEL INJECTOR (HYBRID)

Ref. No.	LON	(Relative ref. Number) Description	FRT
4		(1)	
311132		BODY ASSY., THROTTLE	0.8
5	3111S2	BODY, THROTTLE (A)	0.9
6		(2)	
3111N5		VALVE, IDLE AIR CONTROL	0.6
7		(8, 9, 10)	
311145		INJECTOR, FUEL	1.5



K97ME2201

E-22-1	1	16075-K36-J01	O-RING, THROTTLE BODY.....	-	1		MA
	2	16076-K35-V01	O-RING.....	-	1		MA
	3	16169-K46-N21	STAY, WIRE.....	-	1		MA
	4	16400-K97-T11	BODY ASSY., THROTTLE(M6B A)...	-	1		MA
	5	16410-K97-T11	BODY SET.....	-	1		MA
	6	16430-K97-T01	VALVE SET, IDLE AIR CONTROL...	-	1		MA
	7	16450-K36-J01	INJECTOR ASSY., FUEL.....	-	1		MA
	8	16472-KPC-D50	RING, SEAL.....	-	1		MA
	9	17565-K01-900	JOINT COMP., INJECTOR.....	-	1		MA
	10	91301-GGL-J01	O-RING, 6.3X2.2.....	-	1		MA
	11	93891-04010-18	SCREW-WASHER, 4X10.....	-	3		MA
	12	93892-05012-18	SCREW-WASHER, 5X12.....	-	1		MA

PARTS CATALOGUE NEWS

BOOKNo. :18K97JM1

Block No.	Ref. No.	Part No.	Description	Reqd. QTY		Base Part No.	Parts catalogue code
				WW 150 J	WW 150HV J		
	13	95701-06022-00	BOLT, FLANGE, 6X22.....	-	2	MA	
	14	96001-06020-00	BOLT, FLANGE, 6X20.....	-	2	MA	
F-1	1	33100-K97-T11	LIGHT ASSY., FR. COMBINATION..	-	1	33100-K97-T01	MA
	3	64505-K97-T00ZH	MOLDING, R. HEADLIGHT *PB410P*. PEARL DARK NIGHT BLUE	-	1		MA
			MOLDING, R. HEADLIGHT *R339M* EUPHORIA RED METALLIC	-	0	64505-K97-T00ZT	MA
			MOLDING, R. HEADLIGHT *NHB45M*. RADIATE GRAY METALLIC	-	0	64505-K97-T00ZU	MA
			MOLDING, R. HEADLIGHT *NHA96P*. PEARL METALLOID WHITE	-	0	64505-K97-T00ZV	MA
	4	64506-K97-T00ZH	MOLDING, L. HEADLIGHT *PB410P*. PEARL DARK NIGHT BLUE	-	1		MA
			MOLDING, L. HEADLIGHT *R339M* EUPHORIA RED METALLIC	-	0	64506-K97-T00ZT	MA
			MOLDING, L. HEADLIGHT *NHB45M*. RADIATE GRAY METALLIC	-	0	64506-K97-T00ZU	MA
			MOLDING, L. HEADLIGHT *NHA96P*. PEARL METALLOID WHITE	-	0	64506-K97-T00ZV	MA
F-2	1	37200-K97-T12	SPEEDOMETER ASSY. (KPH).....	-	1	37200-K97-T03	MA
	3	37210-K97-T12	METER COMP., LCD (KPH).....	-	1	37210-K97-T03	MA
F-4	6	35130-K97-T11	SWITCH ASSY., STARTER & HAZARD & ENGINE STOP	-	1	35160-K97-T01	MA
	7	35200-K97-T11	SWITCH ASSY., DIMMER & HORN & WINKER	-	1	35200-K97-T01	MA

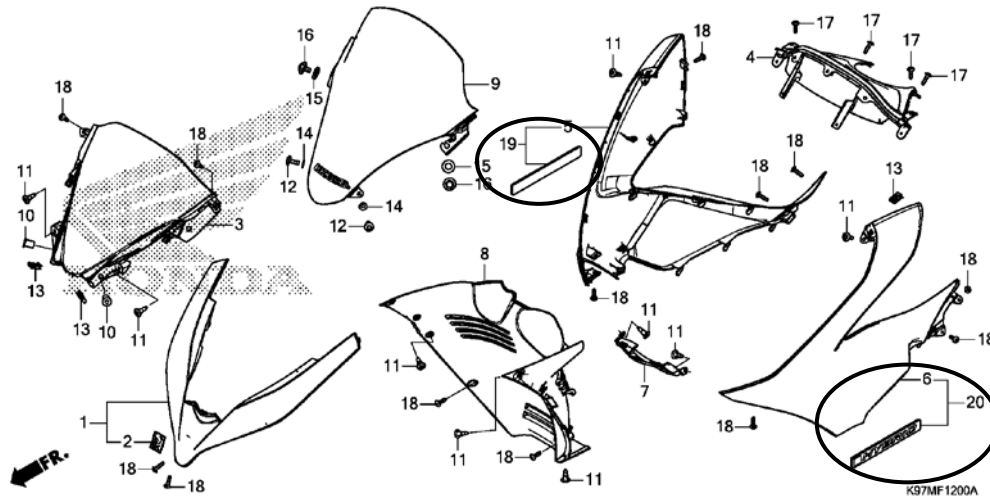
PARTS CATALOGUE NEWS

BOOKNo. :18K97JM1

Block No.	Ref. No.	Part No.	Description	Reqd. QTY		Base Part No.	Parts catalogue code
				WW 150 J	WW 150HV J		
F-11	2	61100-K97-T00ZD	FENDER, FR. *PB410P*. PEARL DARK NIGHT BLUE	-	1		MA
			FENDER, FR. *R339M*. EUPHORIA RED METALLIC	-	0	61100-K97-T00ZW	MA
			FENDER, FR. *NHB45M*. RADIATE GRAY METALLIC	-	0	61100-K97-T00ZX	MA
			FENDER, FR. *NHA96P*. PEARL METALLOID WHITE	-	0	61100-K97-T00ZY	MA

F-12 FRONT COVER

Ref. No.	(Relative ref. Number)	Description	FRT
5	(19)		
4111U8	COVER, FRONT :RIGHT	0.9
6	(20)		
4111U7	COVER, FRONT :LEFT	0.9
4111U9	COVER, FRONT :BOTH	1.3



F-12	1	64305-K97-T00ZH	GARNISH, FR. *PB410P*. PEARL DARK NIGHT BLUE	-	1		MA
			GARNISH, FR. *R339M*. EUPHORIA RED METALLIC	-	0	64305-K97-T00ZG	MA

PARTS CATALOGUE NEWS

BOOKNo. : 18K97JM1

Block No.	Ref. No.	Part No.	Description	Reqd. QTY		Base Part No.	Parts catalogue code
				WW 150 J	WW 150HV J		
			GARNISH, FR. *NHB45M*			64305-K97-T00ZK	
			RADIATE GRAY METALLIC	-	0		MA
			GARNISH, FR. *NHA96P*			64305-K97-T00ZP	
			PEARL METALLOID WHITE	-	0		MA
	5		COVER, R. FR. SIDE *R339M*			64501-K97-T00ZW	
			EUPHORIA RED METALLIC	-	0		MA
			COVER, R. FR. SIDE *NHB45M*			64501-K97-T00ZX	
			RADIATE GRAY METALLIC	-	0		MA
			COVER, R. FR. SIDE *NHA96P*			64501-K97-T00ZY	
			PEARL METALLOID WHITE	-	0		MA
	6		COVER, L. FR. SIDE *R339M*			64502-K96-V00ZN	
			EUPHORIA RED METALLIC	-	0		MA
			COVER, L. FR. SIDE *NHB45M*			64502-K96-V00ZP	
			RADIATE GRAY METALLIC	-	0		MA
			COVER, L. FR. SIDE *NHA96P*			64502-K96-V00ZQ	
			PEARL METALLOID WHITE	-	0		MA
	7	64503-K97-T00ZD	COVER, FR. CENTER *PB410P*				
			PEARL DARK NIGHT BLUE	-	1		MA
			COVER, FR. CENTER *R339M*			64503-K97-T00ZT	
			EUPHORIA RED METALLIC	-	0		MA
			COVER, FR. CENTER *NHB45M*			64503-K97-T00ZU	
			RADIATE GRAY METALLIC	-	0		MA
			COVER, FR. CENTER *NHA96P*			64503-K97-T00ZV	
			PEARL METALLOID WHITE	-	0		MA
	9	67100-K97-S10ZA	VISOR SET, METER (WL) *TYPE1*			67100-K97-D00ZA	
				-	1		MA

PARTS CATALOGUE NEWS

BOOKNo. :18K97JM1

Block No.	Ref. No.	Part No.	Description	Reqd. QTY		Base Part No.	Parts catalogue code
				WW 150 J	WW 150HV J		
	19	64500-K97-T10ZB	COVER SET, R. FR. SIDE (WL) *PB410P*. PEARL DARK NIGHT BLUE	-	1	MA	
	20	64600-K96-J10ZA	COVER SET, L. FR. SIDE (WL) *PB410P*. PEARL DARK NIGHT BLUE	-	1	MA	
F-13	6	81137-K97-T00ZH	LID, SMART EMERGENCY *PB410P*. PEARL DARK NIGHT BLUE	-	1	MA	
			LID, SMART EMERGENCY *R339M*. EUPHORIA RED METALLIC	-	0	81137-K97-T00ZG	MA
			LID, SMART EMERGENCY *NHB45M*. RADIATE GRAY METALLIC	-	0	81137-K97-T00ZK	MA
			LID, SMART EMERGENCY *NHA96P*. PEARL METALLOID WHITE	-	0	81137-K97-T00ZP	MA
	7	81138-K97-T00ZD	OUTER, R. INNER COVER *PB410P*. PEARL DARK NIGHT BLUE	-	1	MA	
			OUTER, R. INNER COVER *R339M*. EUPHORIA RED METALLIC	-	0	81138-K97-T00ZP	MA
			OUTER, R. INNER COVER *NHB45M*. RADIATE GRAY METALLIC	-	0	81138-K97-T00ZQ	MA
			OUTER, R. INNER COVER *NHA96P*. PEARL METALLOID WHITE	-	0	81138-K97-T00ZR	MA
	8	81139-K97-T00ZD	OUTER, L. INNER COVER *PB410P*. PEARL DARK NIGHT BLUE	-	1	MA	
			OUTER, L. INNER COVER *R339M*. EUPHORIA RED METALLIC	-	0	81139-K97-T00ZT	MA
			OUTER, L. INNER COVER *NHB45M*. RADIATE GRAY METALLIC	-	0	81139-K97-T00ZU	MA

PARTS CATALOGUE NEWS

BOOKNo. :18K97JM1

Block No.	Ref. No.	Part No.	Description	Reqd. QTY		Base Part No.	Parts catalogue code
				WW 150 J	WW 150HV J		
			OUTER, L. INNER COVER *NHA96P*. PEARL METALLOID WHITE	-	0	81139-K97-T00ZV	MA
	10	81141-K96-V00ZC	LID, INNER POCKET *PB410P*. PEARL DARK NIGHT BLUE	-	1		MA
			LID, INNER POCKET *R339M*. EUPHORIA RED METALLIC	-	0	81141-K96-V00ZJ	MA
			LID, INNER POCKET *NHB45M*. RADIATE GRAY METALLIC	-	0	81141-K96-V00ZK	MA
			LID, INNER POCKET *NHA96P*. PEARL METALLOID WHITE	-	0	81141-K96-V00ZL	MA
F-14	5	64431-K97-T00ZG	COVER, R. FLOOR SIDE *NHCO4M*. DARK NIGHT GRAY METALLIC	-	1		MA
			COVER, R. FLOOR SIDE *R339M*. EUPHORIA RED METALLIC	-	0	64431-K97-T00ZU	MA
			COVER, R. FLOOR SIDE *NHB45M*. RADIATE GRAY METALLIC	-	0	64431-K97-T00ZV	MA
			COVER, R. FLOOR SIDE *NHA96P*. PEARL METALLOID WHITE	-	0	64431-K97-T00ZW	MA
	6	64432-K97-T00ZG	COVER, L. FLOOR SIDE *NHCO4M*. DARK NIGHT GRAY METALLIC	-	1		MA
			COVER, L. FLOOR SIDE *R339M*. EUPHORIA RED METALLIC	-	0	64432-K97-T00ZU	MA
			COVER, L. FLOOR SIDE *NHB45M*. RADIATE GRAY METALLIC	-	0	64432-K97-T00ZV	MA
			COVER, L. FLOOR SIDE *NHA96P*. PEARL METALLOID WHITE	-	0	64432-K97-T00ZW	MA

PARTS CATALOGUE NEWS

BOOKNo. :18K97JM1

Block No.	Ref. No.	Part No.	Description	Reqd. QTY		Base Part No.	Parts catalogue code
				WW 150 J	WW 150HV J		
	9	64510-K97-T00ZA	GARNISH, R. *NHA40M*. MAT CRYPTON SILVER METALLIC	-	1		MA
			GARNISH, R. *NH411M*. FORCE SILVER METALLIC	-	0	64510-K97-T00ZB	MA
	10	64520-K97-T00ZA	GARNISH, L. *NHA40M*. MAT CRYPTON SILVER METALLIC	-	1		MA
			GARNISH, L. *NH411M*. FORCE SILVER METALLIC	-	0	64520-K97-T00ZB	MA
F-15	7	83550-K96-V00ZB	COVER SET, R. BODY (WL) *TYPE6*.....	-	1		MA
			COVER SET, R. BODY (WL) *TYPE3*.....	-	0	83550-K97-S00ZA	MA
			COVER SET, R. BODY (WL) *TYPE2*.....	-	0	83550-K97-S00ZB	MA
			COVER SET, R. BODY (WL) *TYPE1*.....	-	0	83550-K97-S00ZC	MA
	8	83650-K96-V00ZB	COVER SET, L. BODY (WL) *TYPE6*.....	-	1		MA
			COVER SET, L. BODY (WL) *TYPE3*.....	-	0	83650-K97-S00ZA	MA
			COVER SET, L. BODY (WL) *TYPE2*.....	-	0	83650-K97-S00ZB	MA
			COVER SET, L. BODY (WL) *TYPE1*.....	-	0	83650-K97-S00ZC	MA
F-16	1		HOOK, HELMET.....	-	0	77106-K35-V00	MA
	2		BOX, LUGGAGE.....	-	0	81250-K97-T00	MA
	3		GUARD, RR. SPLASH.....	-	0	81265-K97-T00	MA
	4		NUT, SPECIAL, 6X7.....	-	0	81321-K97-T00	MA

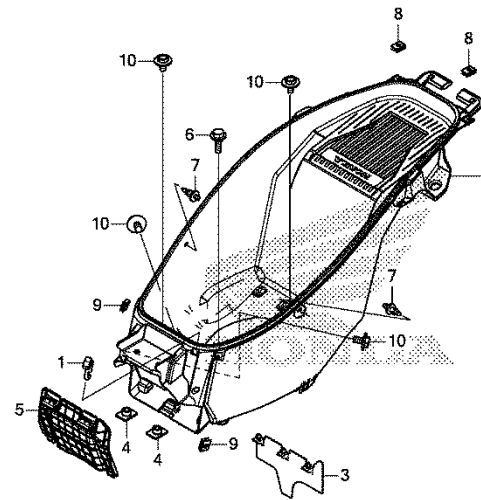
PARTS CATALOGUE NEWS

BOOKNo. :18K97JM1

Block No.	Ref. No.	Part No.	Description	Reqd. QTY		Base Part No.	Parts catalogue code
				ww 150 J	ww 150HV J		
	5		COVER, BATTERY.....	-	0	81322-K97-T00	MA
	6		BOLT, SPECIAL, M6.....	-	0	90107-KTW-900	MA
	7		CLIP, BUMPER SEAL.....	-	0	90116-SPO-003	MA
	8		NUT, SPRING, 4MM.....	-	0	90302-KWW-A00	MA
	9		NUT, CLIP, 5MM.....	-	0	90677-KAN-T00	MA
	10		BOLT-WASHER, 6X12.....	-	0	93404-06012-07	MA

F-16-1 LUGGAGE BOX (HYBRID)

Ref. No.	LON	(Relative ref. Number) Description	FRT
2	412102	BOX, LUGGAGE	0.6
5	6101A1	COVER, BATTERY	0.1



K97MF1601

F-16-1	1	77106-K35-V00	HOOK, HELMET.....	-	1		MA
	2	81250-K97-T10	BOX, LUGGAGE.....	-	1		MA
	3	81265-K97-T00	GUARD, RR. SPLASH.....	-	1		MA
	4	81321-K97-T00	NUT, SPECIAL, 6X7.....	-	2		MA
	5	81322-K97-T00	COVER, BATTERY.....	-	1		MA
	6	90107-KTW-900	BOLT, SPECIAL, M6.....	-	1		MA

PARTS CATALOGUE NEWS

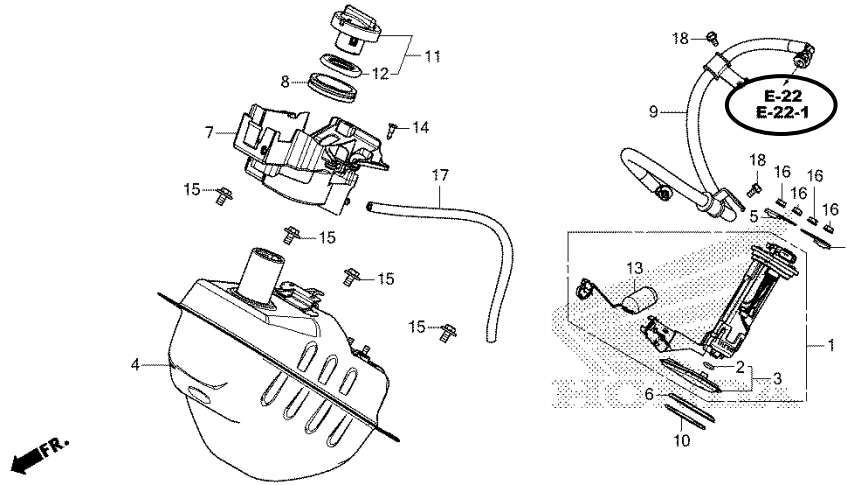
BOOKNo. :18K97JM1

Block No.	Ref. No.	Part No.	Description	Reqd. QTY		Base Part No.	Parts catalogue code
				WW 150 J	WW 150HV J		
	7	90116-SPO-003	CLIP, BUMPER SEAL.....	-	2	MA	
	8	90302-KWW-A00	NUT, SPRING, 4MM.....	-	2	MA	
	9	90677-KAN-T00	NUT, CLIP, 5MM.....	-	2	MA	
	10	93404-06012-07	BOLT-WASHER, 6X12.....	-	4	MA	
F-24	2	77200-K97-T00ZB	SEAT COMP., DOUBLE *TYPE2*.....	-	1	MA	
			SEAT COMP., DOUBLE *TYPE1*.....	-	0	77200-K97-T00ZA MA	
	16	84151-K97-T00ZD	COVER, GRAB RAIL *PB410P*. PEARL DARK NIGHT BLUE	-	1	MA	
			COVER, GRAB RAIL *R339M*. EUPHORIA RED METALLIC	-	0	84151-K97-T00ZT MA	
			COVER, GRAB RAIL *NHB45M*. RADIATE GRAY METALLIC	-	0	84151-K97-T00ZU MA	
			COVER, GRAB RAIL *NHA96P*. PEARL METALLOID WHITE	-	0	84151-K97-T00ZV MA	
	17	84152-K97-T00ZH	LID, GRAB RAIL COVER *PB410P*. PEARL DARK NIGHT BLUE	-	1	MA	
			LID, GRAB RAIL COVER *R339M*. EUPHORIA RED METALLIC	-	0	84152-K97-T00ZG MA	
			LID, GRAB RAIL COVER *NHB45M*. RADIATE GRAY METALLIC	-	0	84152-K97-T00ZK MA	
			LID, GRAB RAIL COVER *NHA96P*. PEARL METALLOID WHITE	-	0	84152-K97-T00ZP MA	

PARTS CATALOGUE NEWS

BOOKNo. :18K97JM1

Block No.	Ref. No.	Part No.	Description	Reqd. QTY		Base Part No.	Parts catalogue code
				WW 150 J	WW 150HV J		
F-26			FUEL TANK *ILLUSTRATION-CORRECTED				



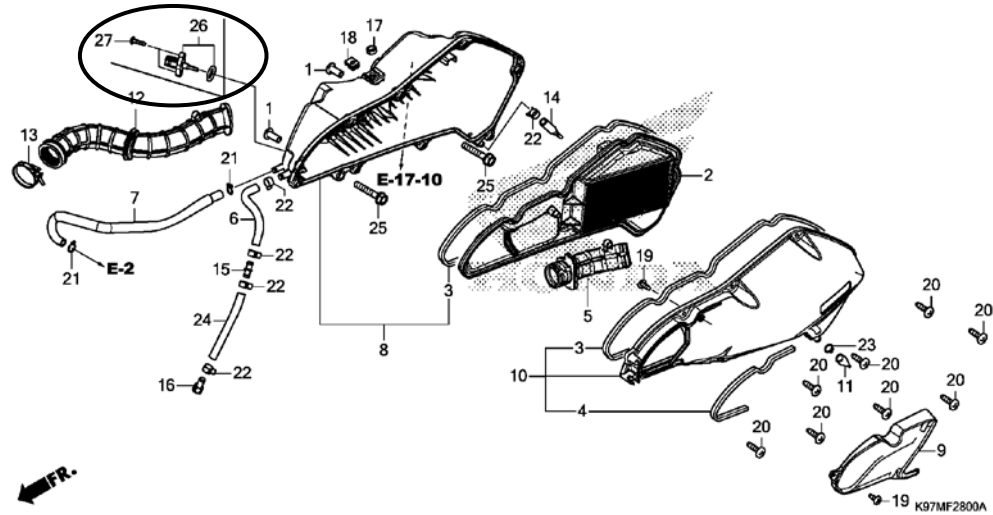
K97MF2600A

BOOKNo. :18K97JM1

Block No.	Ref. No.	Part No.	Description	Reqd. QTY		Base Part No.	Parts catalogue code
				WW 150 J	WW 150HV J		

F-28 AIR CLEANER

Ref. No.	(Relative ref. Number)	Description	FRT
26	617120	SENSOR, AIR TEMP	0.7



F-28	8	17225-K96-J10	CASE SUB ASSY., AIR CLEANER...	-	1	17225-K97-J00	MA
	26	37880-KWW-C01	SENSOR ASSY., AIR TEMPERATURE.	-	1		MA
	27	93913-255J0	SCREW, TAPPING, 5X20.	-	2		MA

BOOKNo. :18K97JM1

Block No.	Ref. No.	Part No.	Description	Reqd. QTY		Base Part No.	Parts catalogue code
				WW 150 J	WW 150HV J		

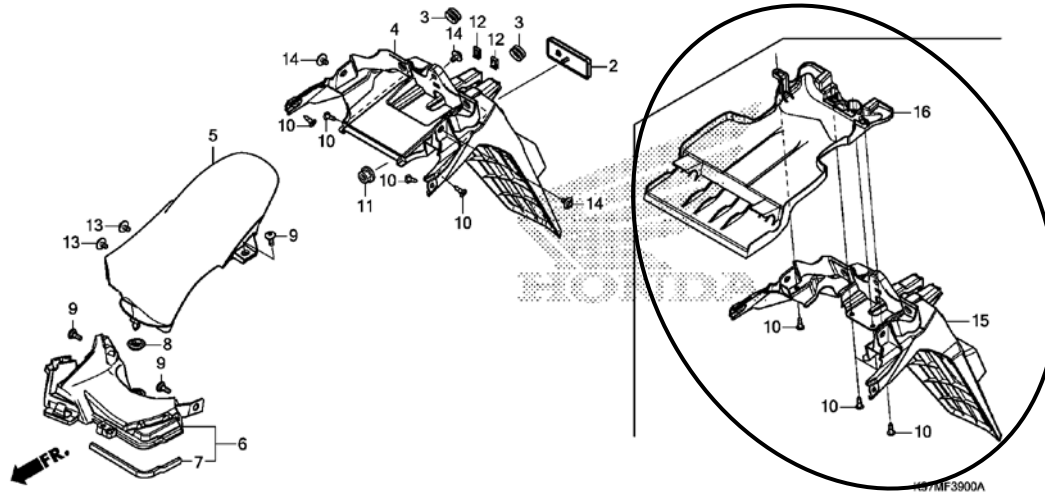
F-36 REAR CUSHION

Ref. No.	(Relative ref. Number)	Description	FRT
1	5121B6	CUSHION ASSY., REAR LEFT	0.6
	5121K1	CUSHION ASSY., REAR(A) LEFT ..	0.8
		NOTE: Hybrid type	
	5121B7	CUSHION ASSY., REAR RIGHT	0.6
	5121K2	CUSHION ASSY., REAR(A) RIGHT ..	0.8
		NOTE: Hybrid type	
	5121B8	CUSHION ASSY., REAR BOTH	0.8
	5121K3	CUSHION ASSY., REAR(A) BOTH ..	1.0
		NOTE: Hybrid type	

F-38-10	2	33700-K97-T11	LIGHT ASSY., RR. COMBINATION..	- 1	33700-K97-T01	MA
---------	---	---------------	--------------------------------	-----	---------------	----

F-39 REAR FENDER

Ref. No.	(Relative ref. Number)	Description	FRT
4	(15)		
	413102	FENDER, REAR	0.5
16	413110	FENDER B, REAR	0.5



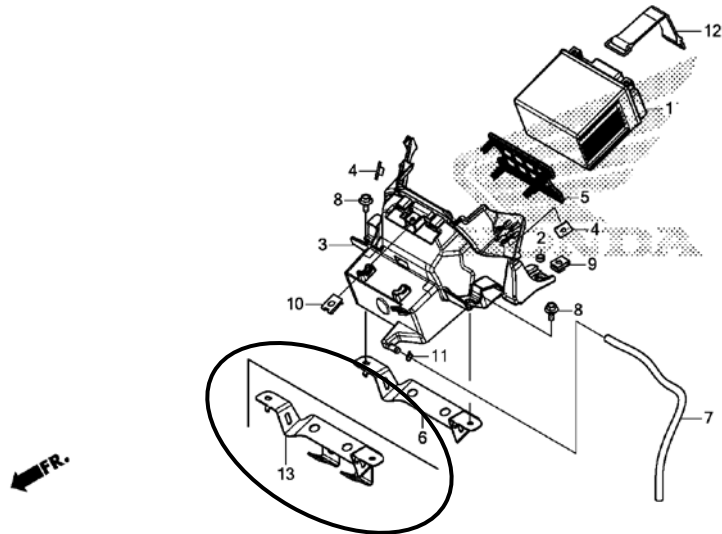
F-39	4		FENDER A, RR.....	- 0	80101-K97-T00	MA
------	---	--	-------------------	-----	---------------	----

PARTS CATALOGUE NEWS

BOOKNo. :18K97JM1

Block No.	Ref. No.	Part No.	Description	Reqd. QTY		Base Part No.	Parts catalogue code
				WW 150 J	WW 150HV J		
	10	90116-SP0-003	CLIP, BUMPER SEAL.....	-	8	MA	
	15	80101-K97-T10	FENDER A, RR.....	-	1	MA	
	16	80102-K97-T10	FENDER B, RR.....	-	1	MA	

F-40 BATTERY



K97MF4000A

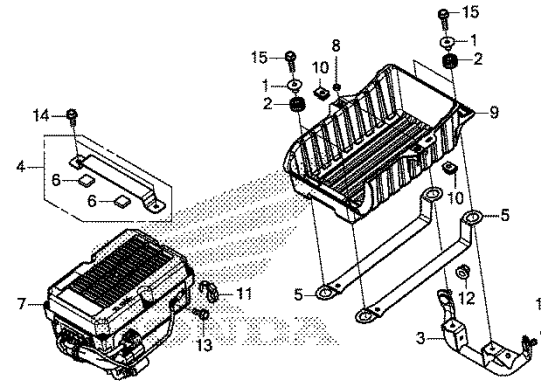
F-40	6		STAY, BATTERY.....	-	0	81323-K96-T00	MA
	13	81323-K97-T00	STAY, BATTERY.....	-	1		MA

BOOKNo. :18K97JM1

Block No.	Ref. No.	Part No.	Description	Reqd. QTY		Base Part No.	Parts catalogue code
				WW 150 J	WW 150HV J		

F-40-10 BATTERY PACK

Ref. No.	(Relative ref. Number)	Description	FRT
7	6221A9	BATTERY, MAIN	0.8
9	(3)		
	4101CT	BOX, BATTERY(A)	0.7



←FR.

K37MF4010

F-40-10	1	17535-KSH-890	COLLAR, METER SETTING.....	-	4	MA
	2	33705-KPG-T00	RUBBER, TAILLIGHT MOUNTING....	-	4	MA
	3	50190-K97-T10	STAY COMP., BATTERY GUARD.....	-	1	MA
	4	50381-K97-T10	BAND A, BATTERY.....	-	1	MA
	5	50382-K97-T10	BAND B, BATTERY.....	-	2	MA
	6	50387-KZL-930	CUSHION C, BATTERY.....	-	2	MA
	7	5B100-K97-T13	PACK ASSY., BATTERY.....	-	1	MA
	8	80108-K45-N40	COLLAR, RR. FENDER.....	-	2	MA
	9	81251-K97-T10	BOX A, BATTERY.....	-	1	MA
	10	90311-MT3-000	NUT, CLIP, 6MM.....	-	2	MA
	11	90652-KT1-771	BAND, WIRE (BLACK).....	-	1	MA
	12	94050-08000	NUT, FLANGE, 8MM.....	-	2	MA

PARTS CATALOGUE NEWS

BOOKNo. :18K97JM1

Block No.	Ref. No.	Part No.	Description	Reqd. QTY		Base Part No.	Parts catalogue code
				ww 150 J	ww 150HV J		
	13	95701-06012-00	BOLT, FLANGE, 6X12.....	-	1	MA	
	14	95701-06016-08	BOLT, FLANGE, 6X16.....	-	2	MA	
	15	95701-06022-08	BOLT, FLANGE, 6X22.....	-	4	MA	
F-41	1		CONTROL UNIT, ENGINE.....	-	0	30400-K97-S01	MA
	2		COVER, ENGINE CONTROL UNIT....	-	0	30401-K35-V00	MA
	3		COIL COMP., IGNITION.....	-	0	30510-K35-V01	MA
	4		SPACER, IGNITION COIL.....	-	0	30520-GFM-900	MA
	5		CAP ASSY., NOISE SUPPRESSOR (TOYO)	-	0	30700-KWN-981	MA
	6		HARNES, WIRE.....	-	0	32100-K96-K00	MA
	7		SUB HARNES, ENGINE.....	-	0	32104-K97-T00	MA
	8		COVER, ACCESSORY SOCKET.....	-	0	32107-K04-930	MA
	9		CAP, DUMMY (2P) (BLUE).....	-	0	32605-KCW-J91	MA
	10		CAP, DUMMY (4P) (RED).....	-	0	32606-GEV-761	MA
	11		SWITCH ASSY., HANDLE LOCK....	-	0	35100-K97-T01	MA
	12		SWITCH COMP., HANDLE LOCK....	-	0	35101-K97-T01	MA
	13		FOB ASSY.....	-	0	35121-K97-S00	MA
	14		CONTROL UNIT, SMART.....	-	0	35141-K97-S00	MA
	15		COVER, CABLE.....	-	0	35191-K53-D01	MA
	16		SWITCH ASSY., SEAT OPENER....	-	0	35193-K35-V32	MA
	17		KEY SET, EMERGENCY.....	-	0	35194-K35-V31	MA
	18		HORN COMP. (LOW).....	-	0	38120-K97-T01	MA
	19		PULLER, MINI FUSE.....	-	0	38235-SNA-A01	MA
	20		COVER COMP., UPPER.....	-	0	38255-K97-T01	MA
	21		RELAY COMP., WINKER (LED).....	-	0	38301-KZZ-J01	MA

PARTS CATALOGUE NEWS

BOOKNo. :18K97JM1

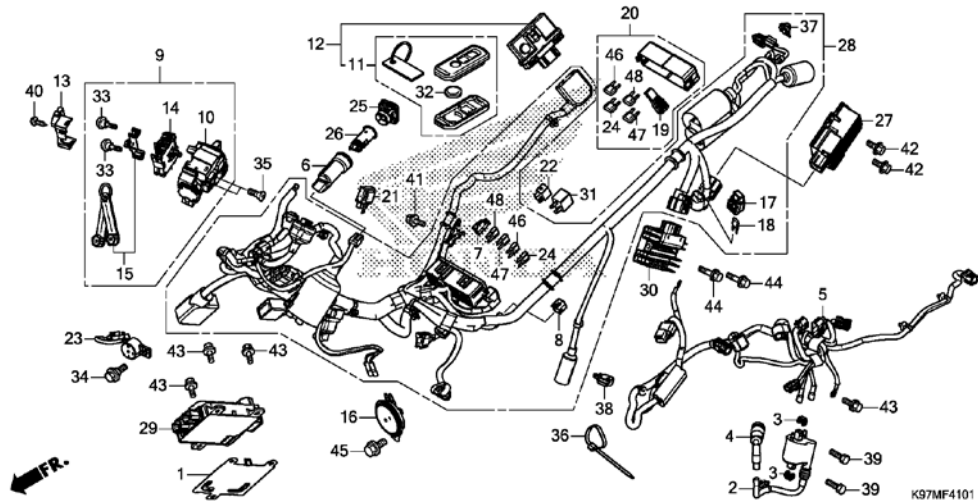
Block No.	Ref. No.	Part No.	Description	Reqd. QTY		Base Part No.	Parts catalogue code
				WW 150 J	WW 150HV J		
	22		RELAY ASSY., POWER (MICRO ISO 4P) (MITSUBA)	-	0	38501-KVZ-631	MA
	23		RELAY COMP., POWER (PANASONIC)	-	0	38502-KWN-901	MA
	24		BUZZER ASSY.....	-	0	38720-K66-V11	MA
	25		FUSE, MINI, 2A.....	-	0	39214-HAC-000	MA
	26		CAP ASSY.....	-	0	39620-K12-901	MA
	27		SOCKET ASSY.....	-	0	39624-SZ3-L01	MA
	28		BATTERY (CR2032).....	-	0	72148-S04-000	MA
	29		SCREW, OPENER SET.....	-	0	90104-K53-D01	MA
	30		BOLT, SPECIAL, 6MM.....	-	0	90107-KVB-900	MA
	31		SCREW, U-LOCK FLAT, 6X12.....	-	0	90164-KZL-A00	MA
	32		BAND, WIRE, 165MM (BLACK).....	-	0	90651-KV6-003	MA
	33		CLIP, COUPLER (DARK BROWN).....	-	0	91535-TA0-003	MA
	34		CLIP, WIRE HARNESS (BLACK).....	-	0	91558-SD5-003	MA
	35		BOLT, HEX., 6X20.....	-	0	92101-06020-4J	MA
	36		SCREW, TAPPING, 4X12.....	-	0	93901-24320	MA
	37		BOLT, FLANGE, 6X12.....	-	0	95701-06012-00	MA
	38		BOLT, FLANGE, 6X16.....	-	0	95701-06016-00	MA
	39		BOLT, FLANGE, 8X12.....	-	0	95701-08012-00	MA
	40		FUSE, MINI (7.5A).....	-	0	98200-40750	MA
	41		FUSE, MINI (15A).....	-	0	98200-41500	MA
	42		FUSE, MINI (25A).....	-	0	98200-42500	MA

BOOKNo. :18K97JM1

Block No.	Ref. No.	Part No.	Description	Reqd. QTY		Base Part No.	Parts catalogue code
				WW 150 J	WW 150HV J		

F-41-1 WIRE HARNESS/FOB KEY (HYBRID)

Ref. No.	LON	(Relative ref. Number) Description	FRT
2	614105	COIL, IGNITION	0.5
4	6141E3	CAP, NOISE SUPPRESSOR	0.3
5	611142	SUB HARNESS, ENGINE	1.2
9		(10)	
	6151K9	SWITCH, HANDLE LOCK	3.0
12	6181D3	CONTROL UNIT, SMART	0.8
		. INCLUDES: Authentication ID number memorization	
14	6151E8	SWITCH, SEAT AND BOX	1.7
16	616169	HORN	0.6
21	6111C3	RELAY, WINKER	1.7
22	611155	RELAY, MAIN	0.2
23	6161AB	BUZZER, ELECTRON	0.4
26		(25)	
	8121A0	SOCKET, ACCESSORY	1.0
27	6221D2	CONVERTER, DC-DC	0.6
28	611100	HARNESS, WIRE	2.6
29	618135	ENGINE CONTROL MODULE (ECM) ...	2.3
		. INCLUDES: Authentication ID number memorization	
30	6221D3	UNIT, JUNCTION	0.6
31	6111C5	RELAY, STARTER	0.2



F-41-1	1	30401-K35-V00	COVER, ENGINE CONTROL UNIT....	-	1	MA
	2	30510-K35-V01	COIL COMP., IGNITION.....	-	1	MA
	3	30520-GFM-900	SPACER, IGNITION COIL.....	-	2	MA
	4	30700-KWN-981	CAP ASSY., NOISE SUPPRESSOR (TOYO)	-	1	MA
	5	32104-K97-T10	SUB HARNESS, ENGINE.....	-	1	MA
	6	32107-K04-930	COVER, ACCESSORY SOCKET.....	-	1	MA
	7	32605-KCW-J91	CAP, DUMMY (2P) (BLUE).....	-	1	MA
	8	32606-GEV-761	CAP, DUMMY (4P) (RED).....	-	1	MA
	9	35100-K97-T01	SWITCH ASSY., HANDLE LOCK.....	-	1	MA

PARTS CATALOGUE NEWS

BOOKNo. :18K97JM1

Block No.	Ref. No.	Part No.	Description	Reqd. QTY		Base Part No.	Parts catalogue code
				ww 150 J	ww 150HV J		
	10	35101-K97-T01	SWITCH COMP., HANDLE LOCK.....	-	1	MA	
	11	35121-K97-S11	FOB ASSY.....	-	1	MA	
	12	35141-K97-S11	CONTROL UNIT, SMART.....	-	1	MA	
	13	35191-K53-D01	COVER, CABLE.....	-	1	MA	
	14	35193-K35-V32	SWITCH ASSY., SEAT OPENER.....	-	1	MA	
	15	35194-K35-V31	KEY SET, EMERGENCY.....	-	1	MA	
	16	38120-K97-T01	HORN COMP. (LOW).....	-	1	MA	
	17	38211-KRG-003	COVER, FUSE.....	-	1	MA	
	18	38221-K97-T11	FUSE, BLADE (MINI) (10A).....	-	1	MA	
	19	38235-SNA-A01	PULLER, MINI FUSE.....	-	1	MA	
	20	38255-K97-T11	COVER COMP., UPPER.....	-	1	MA	
	21	38301-KZZ-J01	RELAY COMP., WINKER (LED).....	-	1	MA	
	22	38501-KVZ-631	RELAY ASSY., POWER (MICRO ISO 4P) (MITSUBA)	-	1	MA	
	23	38720-K66-V11	BUZZER ASSY.....	-	1	MA	
	24	39214-HAC-000	FUSE, MINI, 2A.....	-	2	MA	
	25	39620-K12-901	CAP ASSY.....	-	1	MA	
	26	39624-SZ3-L01	SOCKET ASSY.....	-	1	MA	
	27	5A800-K97-T12	CONVERTER ASSY., DC-DC 12V....	-	1	MA	
	28	5D100-K97-S10	HARNESS, WIRE.....	-	1	MA	
	29	5E100-K97-S12	DRIVE UNIT, POWER.....	-	1	MA	
	30	5E200-K97-T11	JUNCTION UNIT.....	-	1	MA	
	31	5E402-K97-T11	RELAY COMP., POWER (4P).....	-	1	MA	
	32	72148-S04-000	BATTERY (CR2032).....	-	1	MA	
	33	90104-K53-D01	SCREW, OPENER SET.....	-	2	MA	

PARTS CATALOGUE NEWS

BOOKNo. :18K97JM1

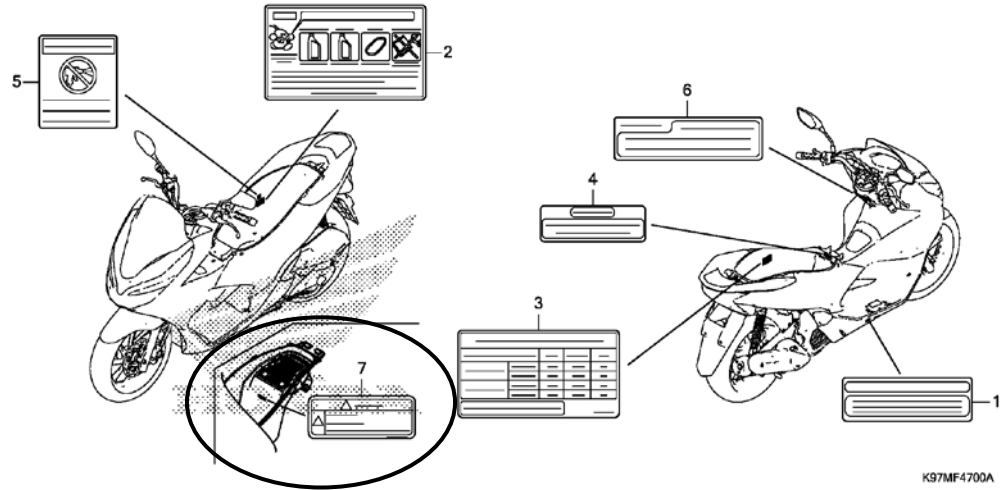
Block No.	Ref. No.	Part No.	Description	Reqd. QTY		Base Part No.	Parts catalogue code
				ww 150 J	ww 150HV J		
	34	90107-KVB-900	BOLT, SPECIAL, 6MM.....	-	1		MA
	35	90164-KZL-A00	SCREW, U-LOCK FLAT, 6X12.....	-	2		MA
	36	90651-KV6-003	BAND, WIRE, 165MM (BLACK).....	-	1		MA
	37	91535-TA0-003	CLIP, COUPLER (DARK BROWN).....	-	1		MA
	38	91558-SD5-003	CLIP, WIRE HARNESS (BLACK).....	-	1		MA
	39	92101-06020-4J	BOLT, HEX., 6X20.....	-	2		MA
	40	93901-24320	SCREW, TAPPING, 4X12.....	-	1		MA
	41	95701-06012-00	BOLT, FLANGE, 6X12.....	-	1		MA
	42	95701-06014-00	BOLT, FLANGE, 6X14.....	-	2		MA
	43	95701-06016-00	BOLT, FLANGE, 6X16.....	-	4		MA
	44	95701-06028-00	BOLT, FLANGE, 6X28.....	-	2		MA
	45	95701-08012-00	BOLT, FLANGE, 8X12.....	-	1		MA
	46	98200-40750	FUSE, MINI (7.5A).....	-	8		MA
	47	98200-41500	FUSE, MINI (15A).....	-	2		MA
	48	98200-42500	FUSE, MINI (25A).....	-	2		MA
F-42	1	50100-K97-T10	BODY COMP., FRAME.....	-	1	50100-K97-T00	MA

PARTS CATALOGUE NEWS

BOOKNo. : 18K97JM1

Block No.	Ref. No.	Part No.	Description	Reqd. QTY		Base Part No.	Parts catalogue code
				WW 150 J	WW 150HV J		

F-47 CAUTION LABEL



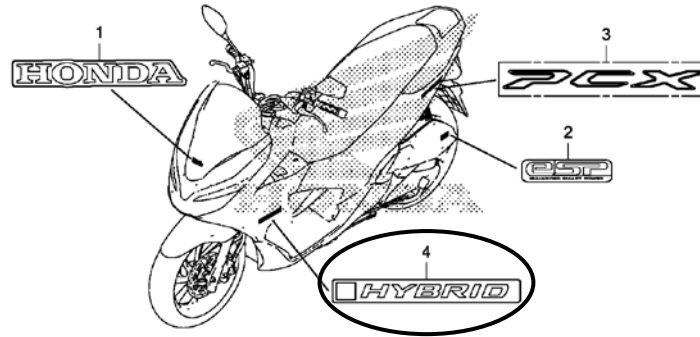
K97MF4700A

F-47	2	87504-KZY-710	LABEL, REPLACEMENT INFORMATION	-	1	87504-K97-S00	MA
	7	5E802-K97-S10	LABEL, BATTERY CAUTION.....	-	1		MA

PARTS CATALOGUE NEWS

BOOKNo. : 18K97JM1

Block No.	Ref. No.	Part No.	Description	Reqd. QTY		Base Part No.	Parts catalogue code
				WW 150 J	WW 150HV J		
F-48		MARK/EMBLEM					



K97MF4800A

F-48	1	86101-K97-T10ZA	EMBLEM, HONDA (80MM) *TYPE1*.....	-	1	86101-K35-V00ZA	MA
	3	86830-K97-T00ZA	EMBLEM (PCX) *TYPE2*.....	-	2		MA
			EMBLEM (PCX) *TYPE1*.....	-	0	86830-K97-T00ZB	MA
	4	86640-K97-T10	EMBLEM (HYBRID).....	-	2		MA